

Finoris

3-hole basin mixer 110 with push-open waste set

Finish: **Matt White** Article Number: **76033701**



Description

product features

- consists of: 3-hole basin mixer, waste set
- ComfortZone 110
- projection: 169 mm
- handle variant: lever handle
- spray type: laminar spray
- maximum flow rate at 3 bar: 4,5 l/min
- ceramic valves hot/cold 90°
- suitable for continuous flow water heaters
- pop-up waste set G 1
- material waste set: metal
- connection type: G ½ compression
- connection dimension: DN15

Technology



Design awards



reddot winner 2021

Product image

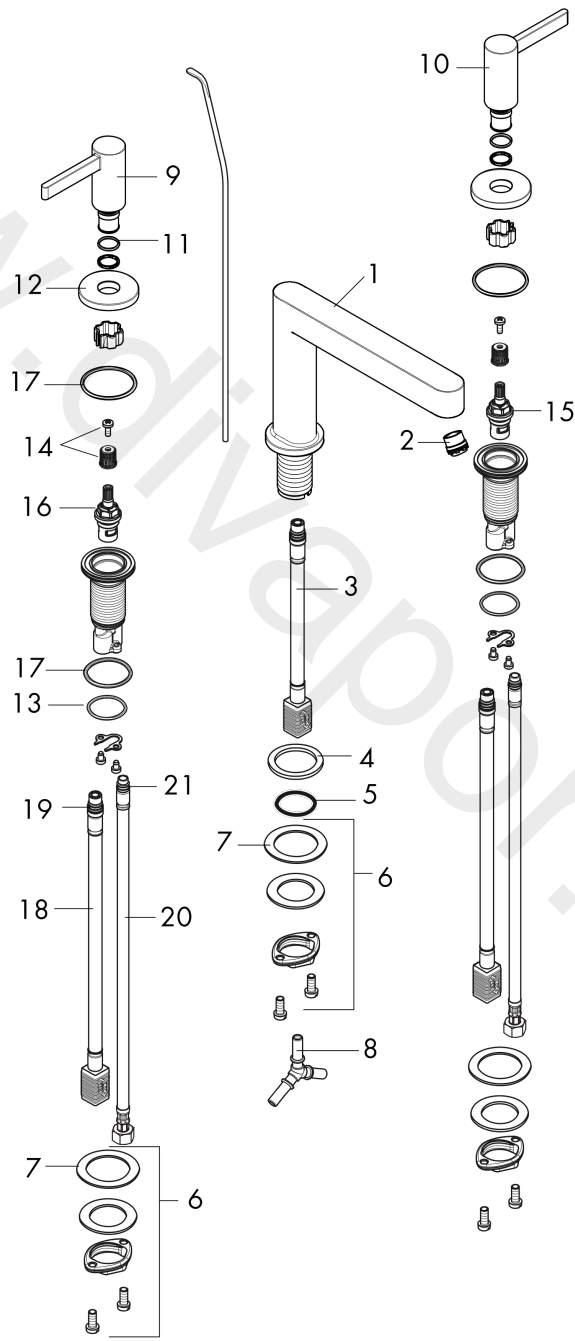


Finoris
3-hole basin mixer 110 with push-open waste set
 Finish: **Matt White** Article Number: **76033701**



Exploded Drawing

Year of production: >11/21



Finoris**3-hole basin mixer 110 with push-open waste set**Finish: **Matt White** Article Number: **76033701****Spare part list**

Year of production: >11/21

Pos.	Description	Article Number	Price	PU
2	spray former	93973000	£ 25,00	1
3	connection hose 200 mm M10x1	92913000	£ 51,00	1
4	flat seal	98749000	£ 6,10	1
5	O-ring 26x4	92191000	-	1
6	fixing set (Ø 28)	92909000	£ 43,00	1
7	lever collar	97548000	£ 3,30	1
8	hose connection angel	92905000	£ 43,00	1
9	handle for hot water	93969700	-	1
10	handle for cold water	93970700	-	1
11	O-Ring 14x1,5	98201000	£ 3,30	1
12	escutcheon for handle	92956700	£ 51,00	1
13	O-ring 26x2,5	98216000	£ 3,30	1
14	handle fixing set	98932000	£ 16,10	1
15	shut off unit right closing	98817000	£ 35,00	1
16	shut off unit left closing	95366000	£ 43,00	1
17	O-ring 33x2,5	92907000	£ 3,30	1
18	connection hose 400 mm M10x1	92914000	£ 64,00	1
19	O-ring 8x1,75	97827000	£ 3,30	1
20	connection hose 18½" M8x0,75 3/8"	96321001	-	1
21	O-ring 7x1,5	98422000	£ 3,30	1
a	pull rod	96657700	£ 19,80	1