

Finoris
3-hole basin mixer 110 with push-open waste set
 Finish: **Matt Black** Article Number: **76033670**



Description

product features

- consists of: 3-hole basin mixer, waste set
- ComfortZone 110
- projection: 169 mm
- spout height: 113 mm
- handle variant: lever handle
- spray type: laminar spray
- maximum flow rate at 3 bar: 5 l/min
- ceramic valves hot/cold 90°
- suitable for continuous flow water heaters
- push-open waste set G 1¼
- material waste set: metal
- connection type: G ¾ connection hose
- connection dimension: DN15
- EU taxonomy: max. 6 l/min - Substantial Contribution (SC) possible

Article Details

Price excl. VAT 437,50 £

Technology



Design awards



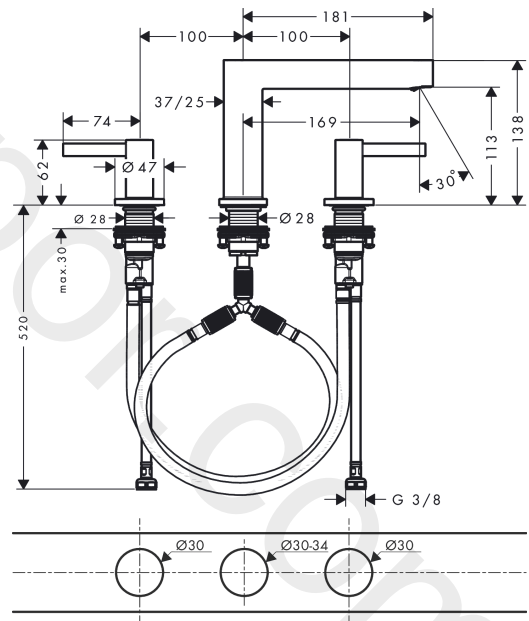
reddot winner 2021



Product image



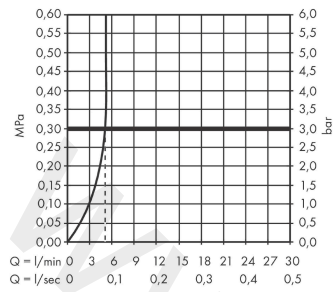
Scale drawing



Finoris
3-hole basin mixer 110 with push-open waste set
 Finish: **Matt Black** Article Number: **76033670**



Flowchart



www.divapor.com

Finoris

3-hole basin mixer 110 with push-open waste set

Finish: **Matt Black** Article Number: **76033670**



Spare part list

Year of production: >06/21

Pos.	Description	Article Number	Price	PU
1	handle for cold water	93970670	£ 96,00	1
2	handle for hot water	93969670	£ 96,00	1
3	O-Ring 14x1,5	98201000	£ 3,30	1
4	escutcheon for handle	92956670	£ 51,00	1
5	O-ring 26x2,5	98216000	£ 3,30	1
6	handle fixing set	98932000	£ 16,10	1
7	shut off unit left closing	95366000	£ 43,00	1
8	shut off unit right closing	98817000	£ 35,00	1
9	O-ring 33x2,5	92907000	£ 3,30	1
10	connection hose 450 mm M8x0,75 G3/8	97206000	£ 35,00	1
11	O-ring 6,6x1,6	93019000	£ 3,30	1
12	connection hose 400 mm M10x1	92914000	£ 64,00	1
13	O-ring 7x1,5	98422000	£ 3,30	1
14	fixing set (Ø 28)	92909000	£ 43,00	1
15	lever collar	97548000	£ 3,30	1
16	spout cpl.	93971670	£ 420,00	1
17	spray former	93973000	£ 25,00	1
18	connection hose 200 mm M10x1	92913000	£ 51,00	1
19	flat seal	98749000	£ 6,10	1
20	O-ring 26x4	92191000	-	1
21	hose connection angel	92905000	£ 43,00	1
a	push-open waste set	50100670	£ 109,20	1