

## Vivenis

### 4-hole rim mounted bath mixer with sBox

Finish: **Matt Black** Article Number: **75444670**



#### Description

##### product features

- consists of: 4-hole rim mounted bath mixer, hand shower, shower holder, shower hose, hose box
- 2 functions
- spray type mixer: WaterfallStream
- spray type hand shower: PowderRain
- maximum pull-out length of hand shower: 1,45 m
- sBox for quiet, smooth and protected hose guidance
- maximum flow rate at 3 bar: 23,9 l/min
- flow rate for bath spout at 3 bar: 23,9 l/min
- flow rate of hand shower at 3 bar: 10,5 l/min
- ceramic valves hot/cold 90°
- non-return valve
- connection dimension: DN15
- connection type: basic set
- installation on bath rim
- min. operating pressure: 1 bar
- max. operating pressure: 10 bar

#### Article Details

Price excl. VAT

898,30 £

#### Technology



#### Design awards



reddot winner 2021

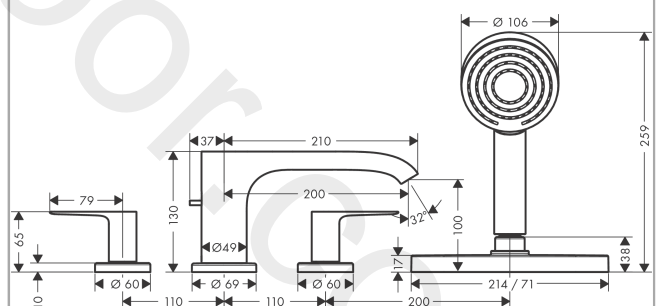


GERMAN  
DESIGN  
AWARD  
WINNER  
2022

#### Product image



#### Scale drawing



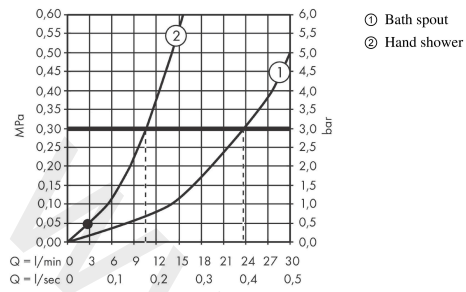
**Vivenis**

**4-hole rim mounted bath mixer with sBox**

Finish: **Matt Black** Article Number: **75444670**



**Flowchart**



www.divapor.com

**Vivenis**

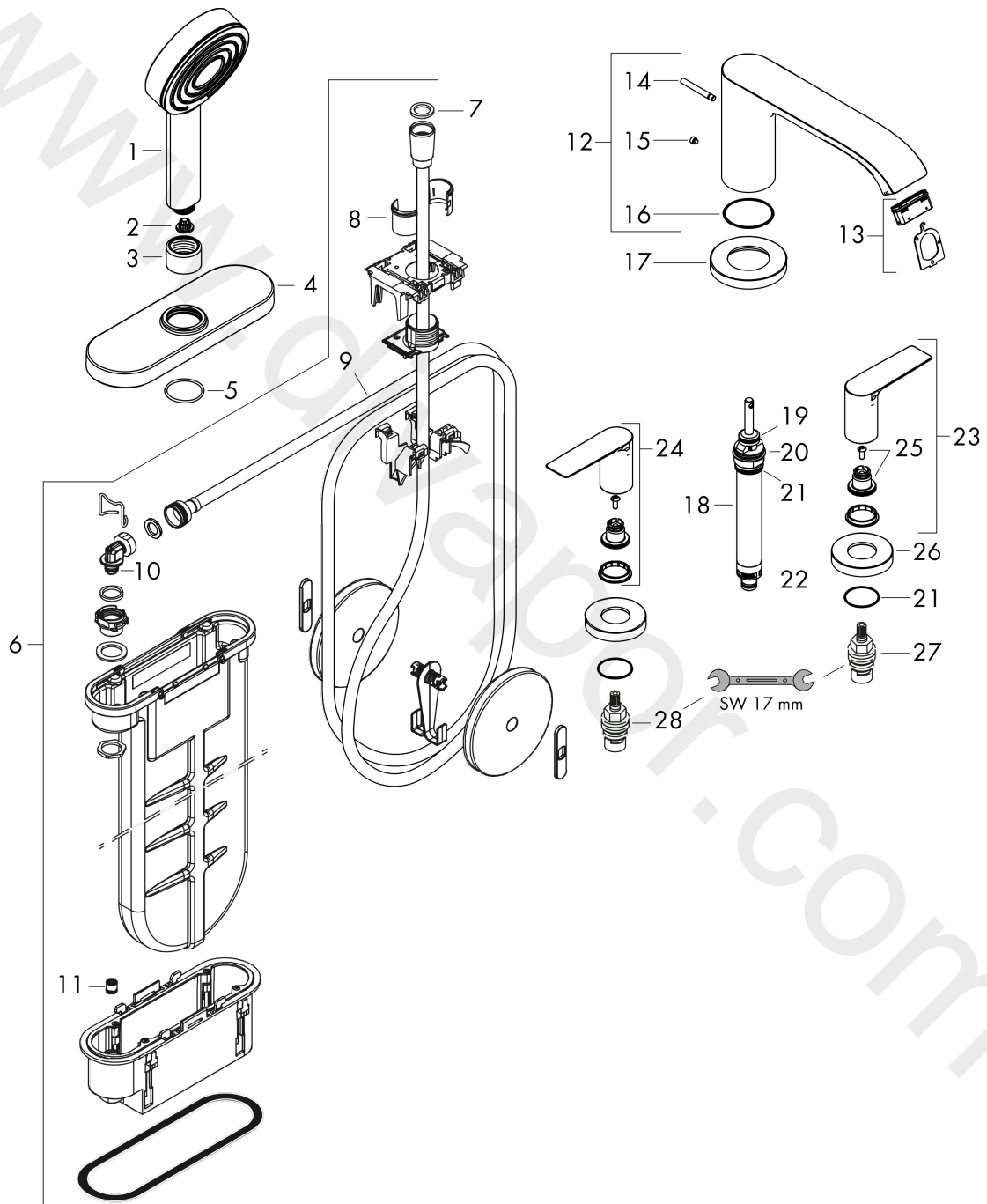
**4-hole rim mounted bath mixer with sBox**

Finish: **Matt Black** Article Number: **75444670**



**Exploded Drawing**

Year of production: >06/21



**Vivenis****4-hole rim mounted bath mixer with sBox**Finish: **Matt Black** Article Number: **75444670****Spare part list**

Year of production: &gt;06/21

Pos.	Description	Article Number	Price	PU
1	handshower	24120670	£ 57,36	1
2	filter	92672000	£ 6,10	1
3	nut	97584670	£ 25,00	1
4	escutcheon	93505670	£ 202,00	1
5	O-Ring 32x2	98193000	£ 3,30	1
6	sBox	94679000	£ 370,00	1
7	seal	98058000	£ 3,30	1
8	insert for shower holder	96942000	£ 13,30	1
9	shower hose	93506000	£ 137,00	1
10	O-ring 9x2	98119000	£ 3,30	1
11	non return valve DW 10	96456000	£ 9,00	1
12	spout cpl.	94312670	£ 260,00	1
13	aerator cpl.	93916000	£ 43,00	1
14	diverter knob	98707670	£ 38,00	1
15	hollow set screw M6x6	97660000	£ 3,30	1
16	O-ring 41x1,5	98168000	£ 3,30	1
17	escutcheon for spout	93978670	£ 202,00	1
18	selector assy	96775000	£ 79,00	1
19	O-Ring 14x2,5	98189000	£ 3,30	1
20	O-Ring 23x2,5	98183000	£ 3,30	1
21	O-Ring 22x2	98185000	£ 3,30	1
22	O-ring 9x2,5	98217000	£ 3,30	1
23	handle for cold water	94311670	£ 96,00	1
24	handle for hot water	94310670	£ 96,00	1
25	handle fixing set	94184000	£ 6,10	1
26	escutcheon for handle	93976670	£ 142,00	1
27	shut off unit left closing	94008000	£ 43,00	1
28	shut off unit right closing	94009000	£ 43,00	1