

## Vivenis

### Single lever bath mixer for exposed installation

Finish: **Matt White** Article Number: **75420707**



#### Description

##### product features

- 2 functions
- projection: 216 mm
- centre distance:  $150 \pm 12$  mm
- spray type mixer: WaterfallStream
- maximum flow rate at 3 bar: 19,4 l/min
- flow rate for bath spout at 3 bar: 19,4 l/min
- ceramic cartridge
- temperature limitation adjustable
- pressure diverter Select with automatic resetting
- protected against backflow, according to DIN EN 1717
- with silencer
- suitable for continuous flow water heaters
- connection dimension: DN15
- connection type: s-shaped connections
- wall-mounted
- min. operating pressure: 1 bar
- max. operating pressure: 10 bar

#### Technology



#### Design awards



reddot winner 2021

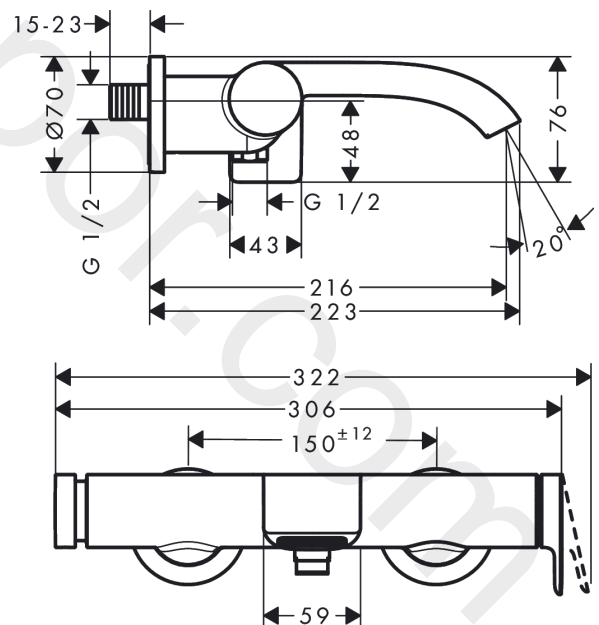


GERMAN  
DESIGN  
AWARD  
WINNER  
2022

#### Product image



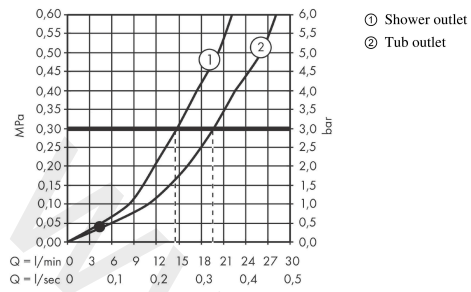
#### Scale drawing



**Vivenis**  
**Single lever bath mixer for exposed installation**  
 Finish: **Matt White** Article Number: **75420707**



**Flowchart**

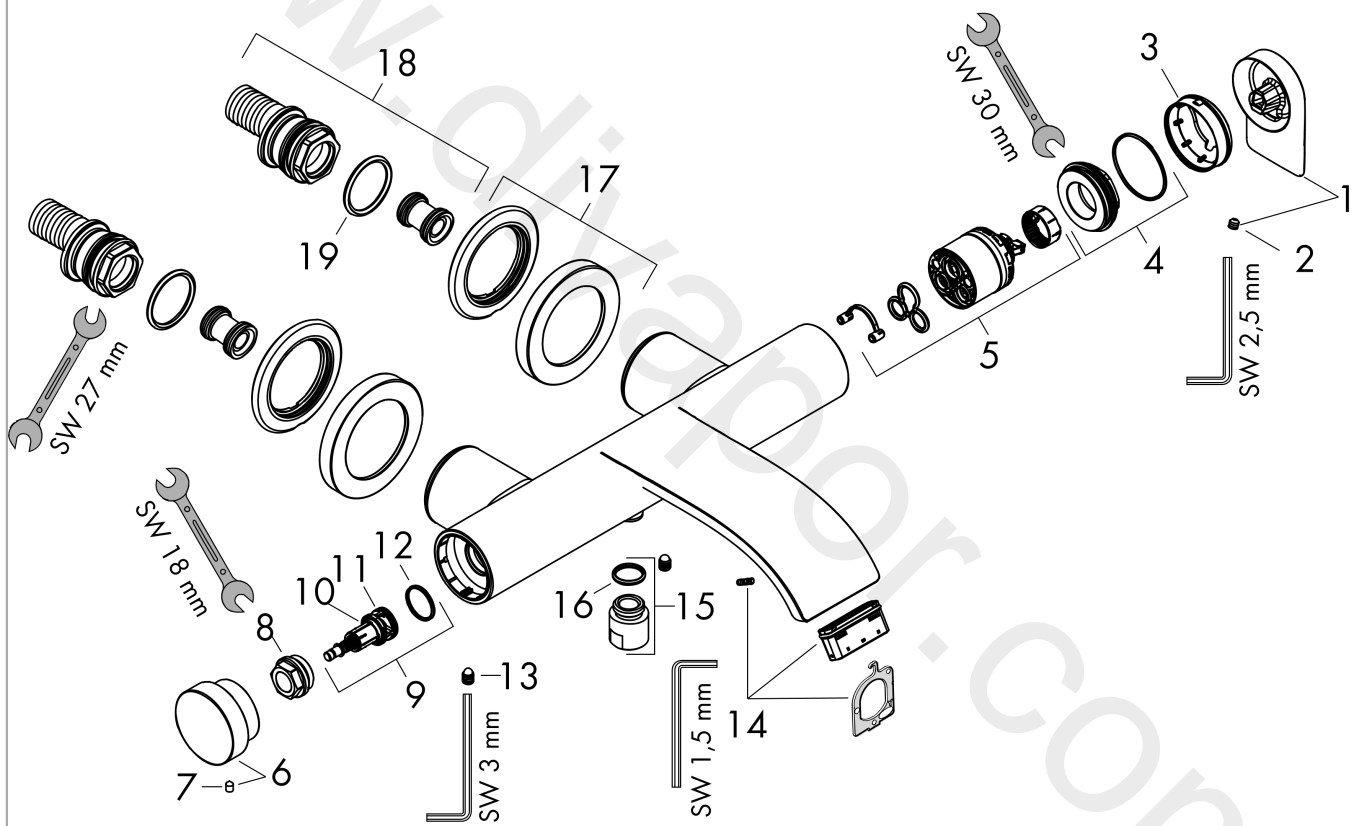


**Vivenis**  
**Single lever bath mixer for exposed installation**  
 Finish: **Matt White** Article Number: **75420707**



**Exploded Drawing**

Year of production: >08/21



## Vivenis

Single lever bath mixer for exposed installation

Finish: **Matt White** Article Number: **75420707**



### Spare part list

Year of production: >08/21

Pos.	Description	Article Number	Price	PU
1	handle	94375700	£ 51,00	1
2	hollow set screw M5x5	98446000	£ 3,30	1
3	flange	94370700	£ 64,00	1
4	nut	93995000	£ 25,00	1
5	cartridge, assy	93895000	£ 79,00	1
6	pushbutton	94369700	£ 142,00	1
7	hollow set screw M4x6	97767000	£ 3,30	1
8	nut	94367000	£ 43,00	1
9	selector assy	94368000	£ 96,00	1
10	O-ring 12x1,5	98430000	£ 3,30	1
11	O-ring 15x1,5	92118000	£ 3,30	1
12	O-ring 17x1,5	98137000	£ 3,30	1
13	screw	94366000	£ 13,30	1
14	aerator cpl.	93916000	£ 43,00	1
15	connecting thread	95392000	£ 20,50	1
16	O-ring 14x2	98129000	£ 3,30	1
17	escutcheon Ø 70 mm	94365700	£ 76,00	1
18	set of S-unions	95772000	£ 96,00	1
19	O-ring 29x3	98371000	£ 6,10	1