

Vivenis

3-hole basin mixer 90 with pop-up waste set

Finish: **Matt Black** Article Number: **75033670**



Description

product features

- consists of: 3-hole basin mixer, waste set
- ComfortZone 90
- projection: 150 mm
- spout height: 91 mm
- spray type: WaterfallStream
- maximum flow rate at 3 bar: 5 l/min
- ceramic valves hot/cold 90°
- suitable for continuous flow water heaters
- pop-up waste set G 1¼
- material waste set: metal
- connection type: G ¾ connections
- connection dimension: DN15
- EU taxonomy: max. 6 l/min - Substantial Contribution (SC) possible

Article Details

Price excl. VAT

396,70 £

Technology



Design awards



reddot winner 2021

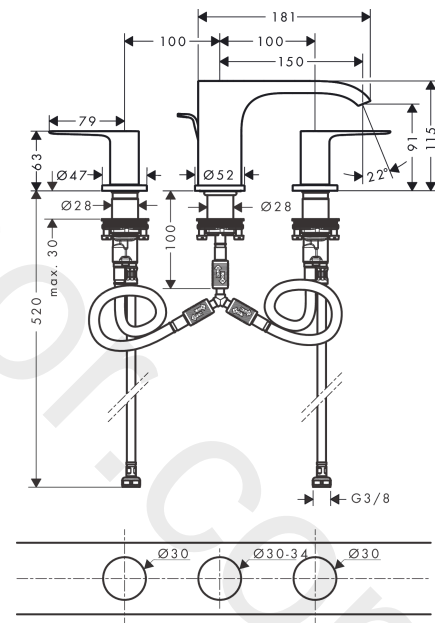


GERMAN DESIGN AWARD WINNER 2022

Product image



Scale drawing



Vivenis

3-hole basin mixer 90 with pop-up waste set

Finish: **Matt Black** Article Number: **75033670**



Flowchart



Vivenis

3-hole basin mixer 90 with pop-up waste set

Finish: **Matt Black** Article Number: **75033670**



Spare part list

Year of production: >06/21

Pos.	Description	Article Number	Price	PU
1	handle for cold water	94307670	£ 142,00	1
2	handle for hot water	94306670	£ 142,00	1
3	O-Ring 14x1,5	98201000	£ 3,30	1
4	escutcheon for handle	92956670	£ 51,00	1
5	handle fixing set	98932000	£ 16,10	1
6	shut off unit left closing	95366000	£ 43,00	1
7	shut off unit right closing	98817000	£ 35,00	1
8	O-ring 33x2,5	92907000	£ 3,30	1
9	connection hose 450 mm M8x0,75 G3/8	97206000	£ 35,00	1
10	O-ring 6,6x1,6	93019000	£ 3,30	1
11	fixing set (Ø 28)	92909000	£ 43,00	1
12	spout cpl.	94308670	£ 163,00	1
13	spray former	94275000	£ 43,00	1
14	escutcheon for spout	94309670	£ 96,00	1
15	connection hose 200 mm M10x1	92913000	£ 51,00	1
16	O-ring 8x1,75	97827000	£ 3,30	1
17	flat seal	98749000	£ 6,10	1
18	O-ring 26x4	92191000	-	1
19	hose connection angel	92905000	£ 43,00	1
20	pull rod	96657000	£ 13,30	1
a	pop up waste	94139670	£ 163,00	1