

**Metropol**  
**4-hole rim mounted bath mixer with loop handles for Secuflex**  
 Finish: **Chrome** Article Number: **74552000**



### Description

#### product features

- consists of: 4-hole rim mounted bath mixer, hand shower, shower holder
- 2 functions
- projection: 197 mm
- spray type mixer: normal spray
- spray type hand shower: Rain, RainAir, Whirl
- maximum pull-out length of hand shower: 1.10 m
- maximum flow rate at 3 bar: 24 l/min
- flow rate for bath spout at 3 bar: 24 l/min
- flow rate of hand shower at 3 bar: 15 l/min
- ceramic valves hot/cold 90°
- connection dimension: DN15
- connection type: basic set
- installation on bath rim
- min. operating pressure: 1 bar
- max. operating pressure: 10 bar
- no additional maintenance opening required

### Article Details

Price excl. VAT

925,00 £

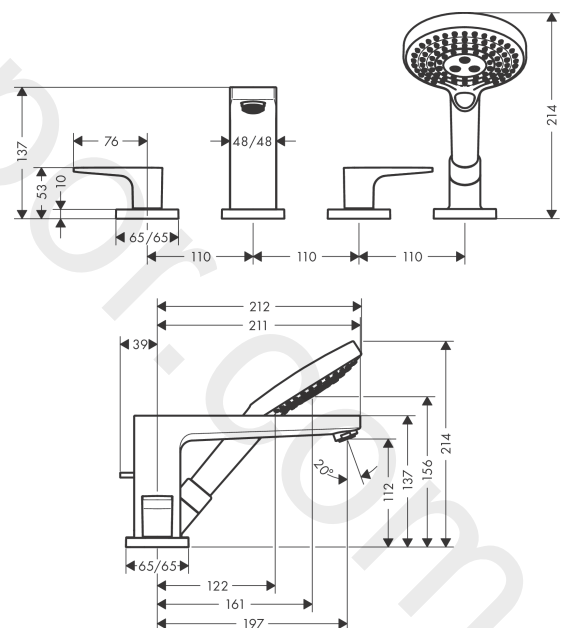
### Technology



### Product image



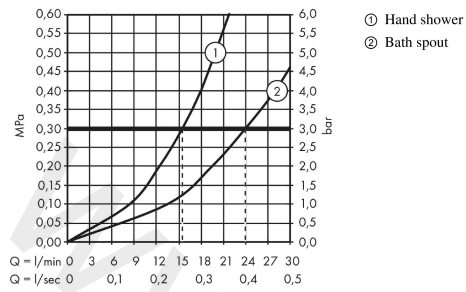
### Scale drawing



**Metropol**  
**4-hole rim mounted bath mixer with loop handles for Secuflex**  
 Finish: **Chrome** Article Number: **74552000**



**Flowchart**



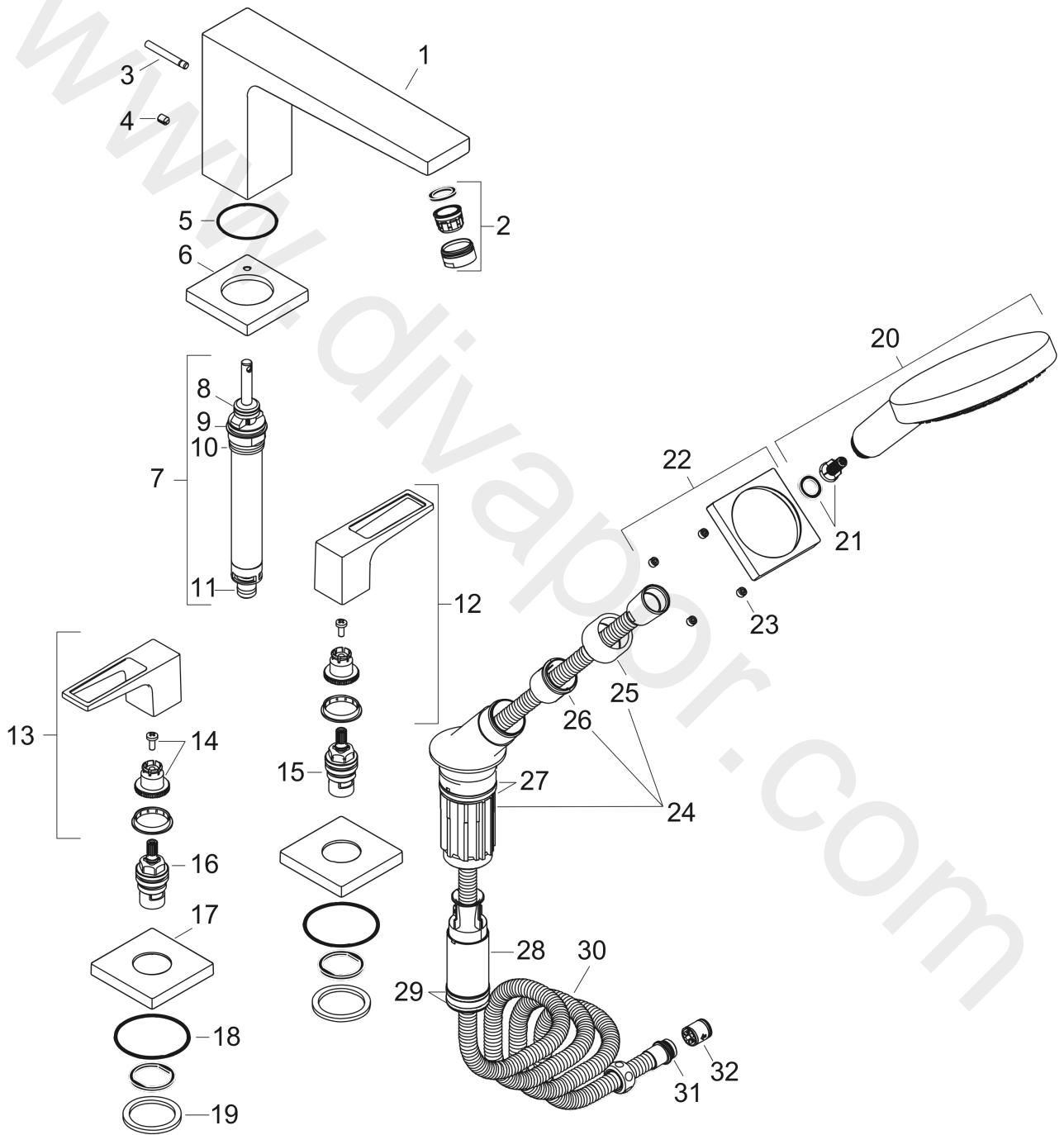
www.divapor.com

**Metropol**  
**4-hole rim mounted bath mixer with loop handles for Secuflex**  
 Finish: **Chrome** Article Number: **74552000**



**Exploded Drawing**

Year of production: >04/17



**Metropol**  
**4-hole rim mounted bath mixer with loop handles for Secuflex**  
 Finish: **Chrome** Article Number: **74552000**



## Spare part list

Year of production: >04/17

Pos.	Description	Article Number	Price	PU
1	spout cpl.	93151000	£ 370,00	1
2	aerator M24x1 (30 l/min)	96512000	£ 16,10	1
3	diverter knob	98707000	£ 25,00	1
4	hollow set screw M6x8	98444000	£ 3,30	1
5	O-ring 41x1,5	98168000	£ 3,30	1
6	escutcheon for spout	93152000	£ 35,00	1
7	selector assy	96775000	£ 79,00	1
8	O-Ring 14x2,5	98189000	£ 3,30	1
9	O-Ring 23x2,5	98183000	£ 3,30	1
10	O-Ring 22x2	98185000	£ 3,30	1
11	O-ring 9x2,5	98217000	£ 3,30	1
12	handle for cold water	93177000	£ 51,00	1
13	handle for hot water	93176000	£ 51,00	1
14	handle fixing set	94184000	£ 6,10	1
15	shut off unit left closing	94008000	£ 43,00	1
16	shut off unit right closing	94009000	£ 43,00	1
17	escutcheon for handle	93169000	£ 64,00	1
18	O-ring 56x2	98468000	£ 9,00	1
19	flat seal	98749000	£ 6,10	1
20	handshower	26530000	£ 130,00	1
21	filter insert	97708000	£ 6,10	1
22	escutcheon for shower holder	93154000	£ 64,00	1
23	screw cover	95704000	£ 3,30	1
24	shower holder, assy	95996000	£ 137,00	1
25	nut	97584000	£ 16,10	1
26	insert for shower holder	96942000	£ 13,30	1
27	O-ring 38x2	98396000	£ 3,30	1
28	hose brake	98656000	£ 20,50	1
29	O-Ring 28x2	98194000	£ 3,30	1
30	shower hose 2,00 m	94148000	£ 79,00	1
31	O-ring 11x2	98127000	£ 3,30	1
32	set of non return valves DW 15	94074000	£ 16,10	1
a	concealed item	13444180	£ 1.270,00	1