

**Metropol**  
**3-hole rim mounted single lever bath mixer with loop handle**  
 Finish: **Chrome** Article Number: **74551000**



### Description

#### product features

- consists of: 3-hole rim mounted single lever bath mixer, hand shower, shower holder, shower hose
- 2 functions
- projection: 197 mm
- spray type mixer: normal spray
- spray type hand shower: Rain, RainAir, Whirl
- maximum pull-out length of hand shower: 1.60 m
- maximum flow rate at 3 bar: 19 l/min
- flow rate for bath spout at 3 bar: 19 l/min
- flow rate of hand shower at 3 bar: 14 l/min
- ceramic cartridge
- temperature limitation adjustable
- connection dimension: DN15
- connection type: basic set
- installation on bath rim
- min. operating pressure: 1 bar
- max. operating pressure: 10 bar

### Article Details

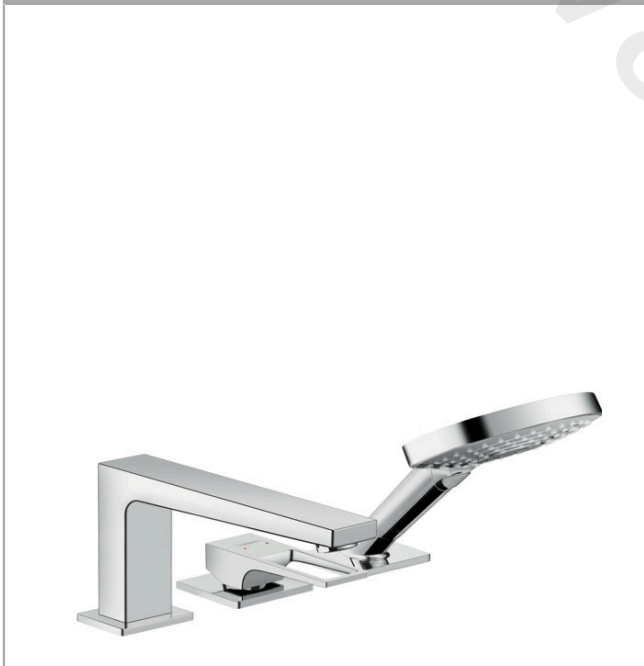
Price excl. VAT

691,67 £

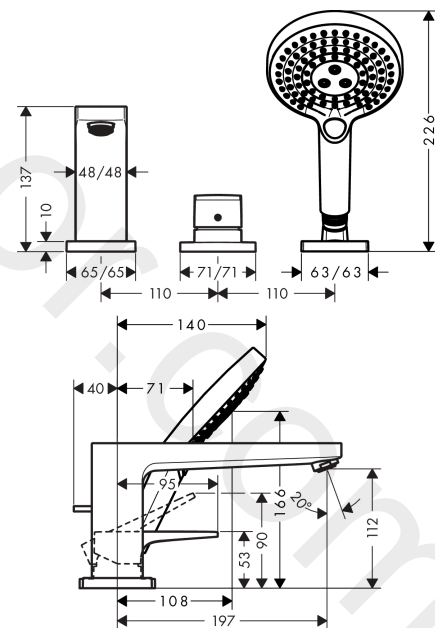
### Technology



### Product image



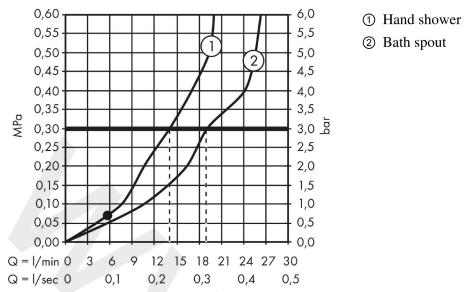
### Scale drawing



**Metropol**  
**3-hole rim mounted single lever bath mixer with loop handle**  
 Finish: **Chrome** Article Number: **74551000**



**Flowchart**



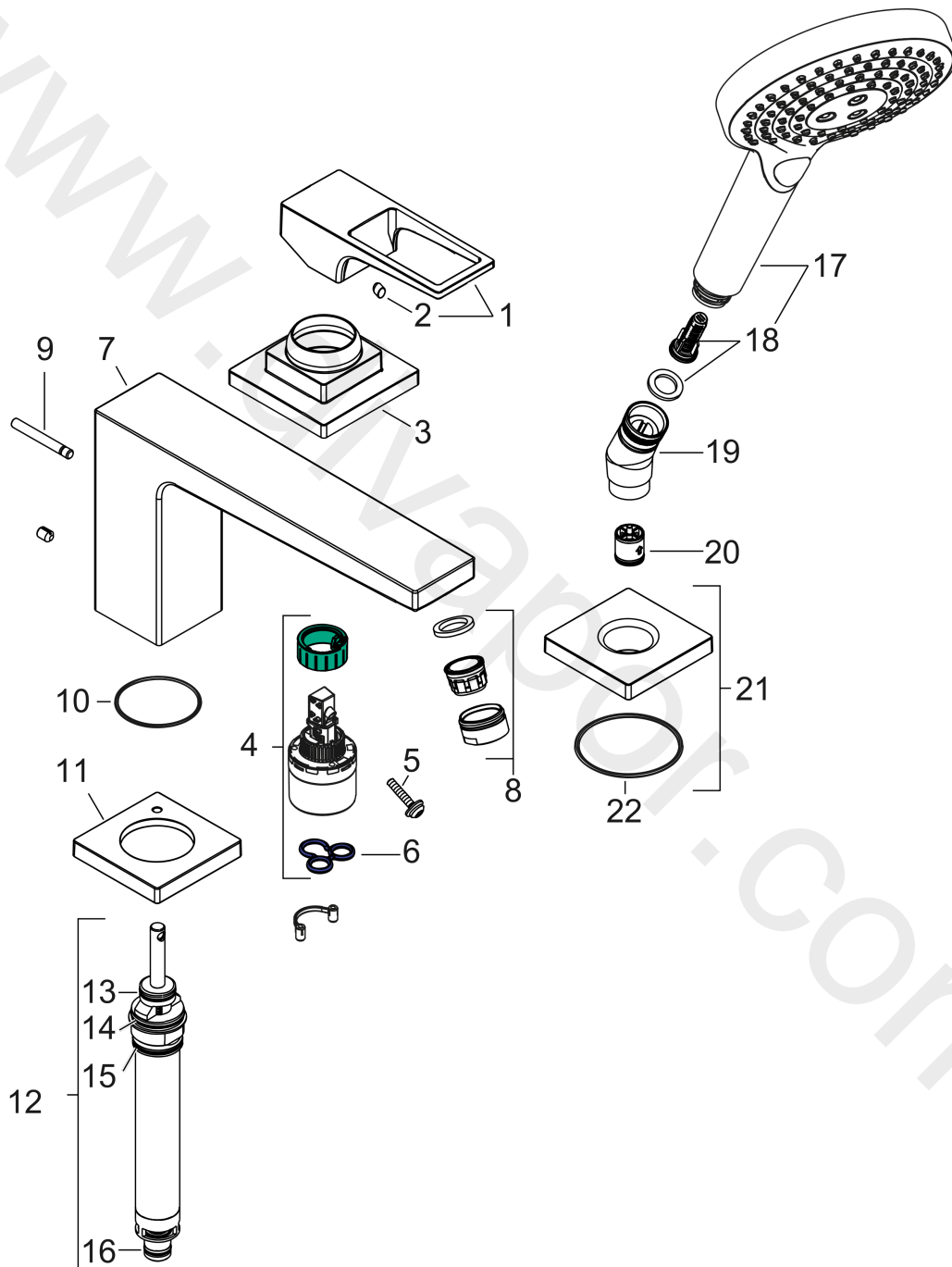
www.divapor.com

**Metropol**  
**3-hole rim mounted single lever bath mixer with loop handle**  
 Finish: **Chrome** Article Number: **74551000**



**Exploded Drawing**

Year of production: >04/17



**Metropol****3-hole rim mounted single lever bath mixer with loop handle**Finish: **Chrome** Article Number: **74551000****Spare part list**

Year of production: &gt;04/17

Pos.	Description	Article Number	Price	PU
1	handle	93076000	£ 79,00	1
2	screw cover	96338000	£ 3,30	1
3	escutcheon	93138000	£ 43,00	1
4	cartridge, assy	92730000	£ 35,00	1
5	locking screw for handle	95140000	£ 6,10	1
6	seal	95008000	£ 9,00	1
7	spout cpl.	93151000	£ 370,00	1
8	aerator M24x1 (30 l/min)	96512000	£ 16,10	1
9	diverter knob	98707000	£ 25,00	1
10	O-ring 41x1,5	98168000	£ 3,30	1
11	escutcheon for spout	93152000	£ 35,00	1
12	selector assy	96775000	£ 79,00	1
13	O-Ring 14x2,5	98189000	£ 3,30	1
14	O-Ring 23x2,5	98183000	£ 3,30	1
15	O-Ring 22x2	98185000	£ 3,30	1
16	O-ring 9x2,5	98217000	£ 3,30	1
17	handshower	26530000	£ 130,00	1
18	filter insert	97708000	£ 6,10	1
19	shower holder	28071000	£ 43,00	1
20	set of non return valves DW 15	94074000	£ 16,10	1
21	escutcheon for shower holder	93153000	£ 51,00	1
22	O-ring 56x2	98468000	£ 9,00	1