

Metropol

3-hole basin mixer 110 with loop handles and pop-up waste set 0.5 GPM

Finish: **Chrome** Article Number: **74527001**



Description

product features

- ComfortZone 110
- projection: 132 mm
- handle variant: flat handle
- spray type: normal spray
- maximum flow rate at 3 bar: 1,9 l/min
- ceramic valves hot/cold 90°
- suitable for continuous flow water heaters
- pop-up waste set G 1
- connection type: NPT ½

Technology



Product image

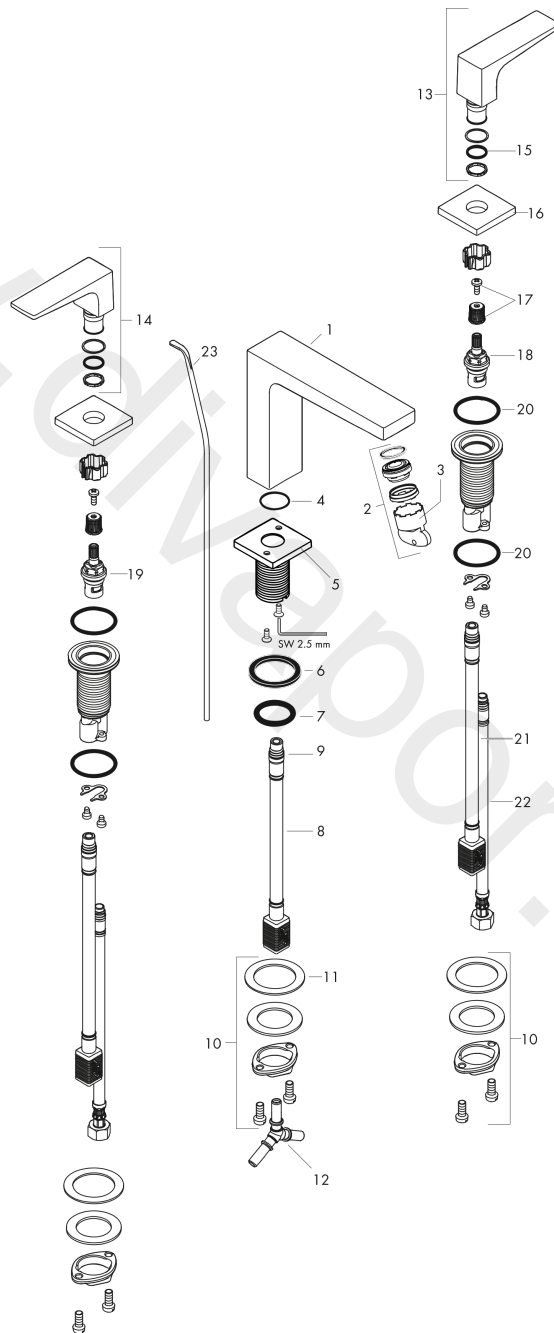


Metropol
3-hole basin mixer 110 with loop handles and pop-up waste set 0.5 GPM
 Finish: **Chrome** Article Number: **74527001**



Exploded Drawing

Year of production: >09/19



Metropol

3-hole basin mixer 110 with loop handles and pop-up waste set 0.5 GPM

Finish: **Chrome** Article Number: **74527001**



Spare part list

Year of production: >09/19

Pos.	Description	Article Number	Price	PU
1	spout 110 mm	93021000	£ 275,00	1
2	aerator M24x1 (1,9 l/min)	92300000	£ 35,00	1
3	service tool	95661000	£ 6,10	1
4	O-ring 21x1,5	98219000	£ 3,30	1
5	escutcheon for spout	92906000	£ 96,00	1
6	flat seal	98749000	£ 6,10	1
7	O-ring 26x4	92191000	-	1
8	connection hose 200 mm M10x1	92913000	£ 51,00	1
9	O-ring 8x1,75	97827000	£ 3,30	1
10	fixing set (Ø 28)	92909000	£ 43,00	1
11	lever collar	97548000	£ 3,30	1
12	hose connection angel	92905000	£ 43,00	1
13	handle for cold water	92919000	£ 64,00	1
14	handle for hot water	92918000	£ 64,00	1
15	O-Ring 14x1,5	98201000	£ 3,30	1
16	escutcheon	92915000	£ 51,00	1
17	handle fixing set	98932000	£ 16,10	1
18	shut off unit right closing	98817001	-	1
19	shut off unit left closing	95366001	-	1
20	O-ring 33x2,5	92907000	£ 3,30	1
21	connection hose 400 mm M10x1	92914000	£ 64,00	1
22	connection hose 18½" M8x0,75 3/8"	96321001	-	1
23	pull rod	96657000	£ 13,30	1
a	pop up waste	88509000	-	1
b	O-ring 7x1,5	98422000	£ 3,30	1