

Metropol

Single lever basin mixer for concealed installation wall-mounted with loop handle and spout
16.5 cm

Finish: **Chrome** Article Number: **74525000**



Description

product features

- consists of: single lever basin mixer for concealed installation wall-mounted, waste set
- projection: 165 mm
- handle variant: lever handle
- spray type: normal spray
- maximum flow rate at 3 bar: 5 l/min
- ceramic cartridge
- temperature limitation adjustable
- suitable for continuous flow water heaters
- non-closing waste set
- material waste set: metal
- connection type: basic set
- connection dimension: DN15
- handle can be positioned on the right or left, depending on the basic set installation
- WRAS 2303060
- WRAS 2303060 - Approval letter 2303060

Article Details

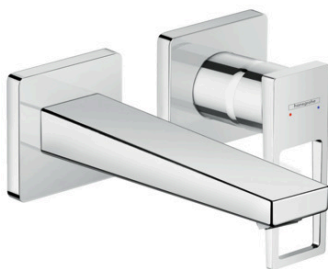
Price excl. VAT

479,17 £

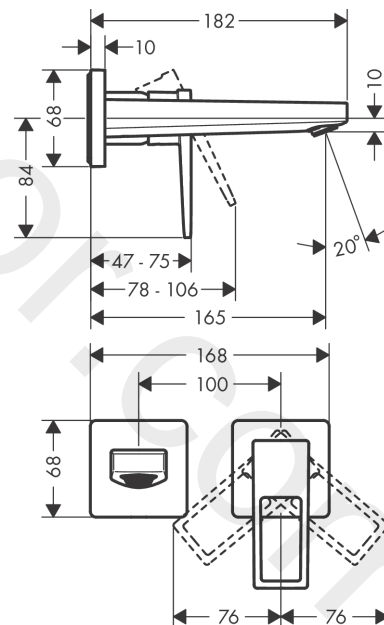
Technology



Product image



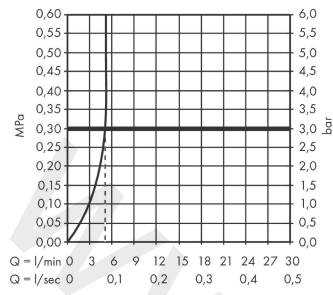
Scale drawing



Metropol
Single lever basin mixer for concealed installation wall-mounted with loop handle and spout
16.5 cm
 Finish: **Chrome** Article Number: **74525000**



Flowchart



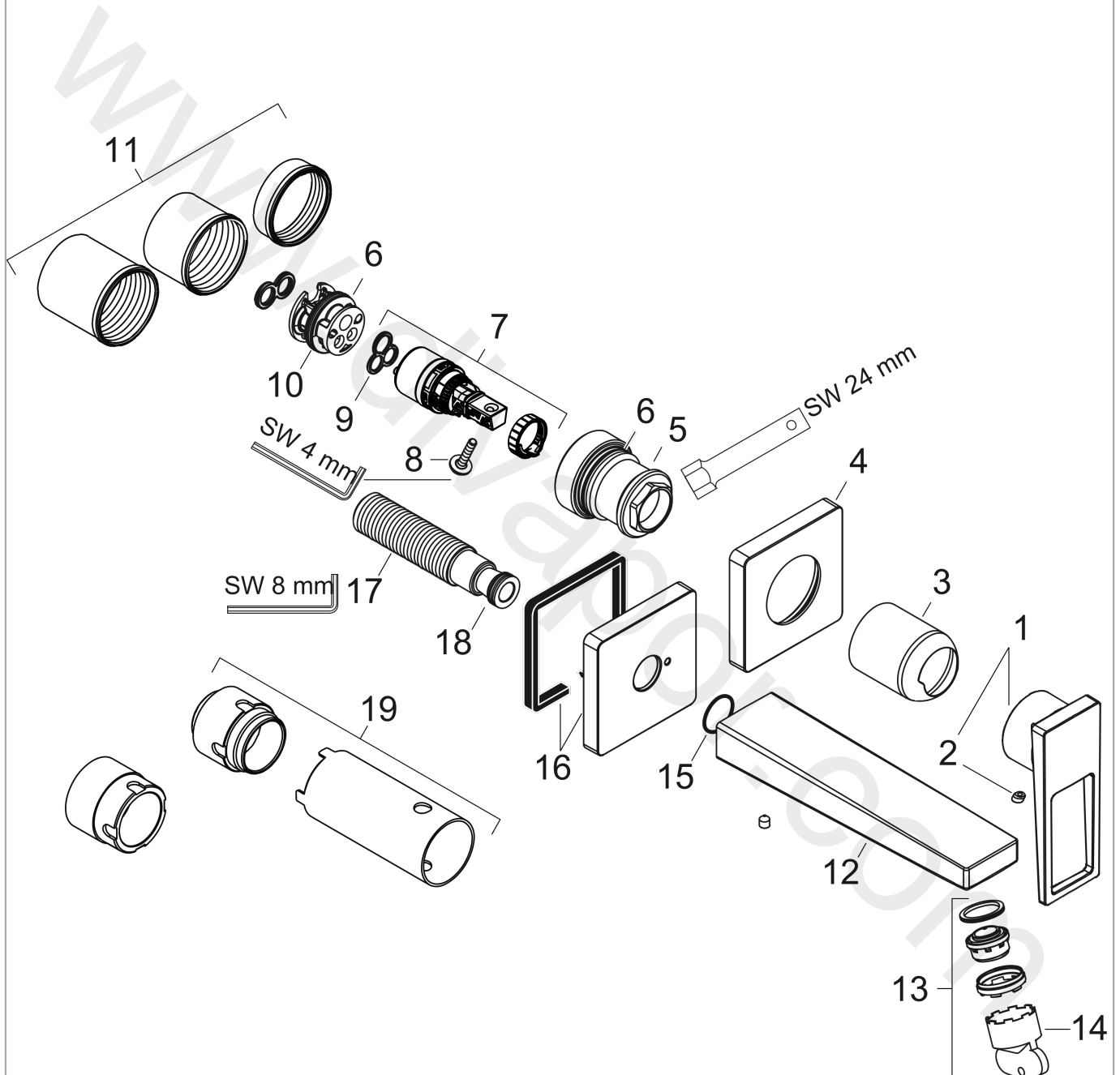
www.divapor.com

Metropol
Single lever basin mixer for concealed installation wall-mounted with loop handle and spout
16.5 cm
 Finish: **Chrome** Article Number: **74525000**



Exploded Drawing

Year of production: >04/17



Metropol**Single lever basin mixer for concealed installation wall-mounted with loop handle and spout
16.5 cm**Finish: **Chrome** Article Number: **74525000****Spare part list**

Year of production: >04/17

Pos.	Description	Article Number	Price	PU
1	handle	93164000	£ 51,00	1
2	screw cover	96338000	£ 3,30	1
3	sleeve	93053000	£ 43,00	1
4	escutcheon for handle	93161000	£ 64,00	1
5	nut	93141000	£ 43,00	1
6	O-ring 26x2	98147000	£ 3,30	1
7	cartridge, assy	97685000	£ 64,00	1
8	locking screw for handle	95140000	£ 6,10	1
9	seal	98865000	£ 35,00	1
10	adapter for cartridge	95634000	£ 13,30	1
11	fixing set	97971000	£ 43,00	1
12	spout 165 mm	93165000	£ 137,00	1
13	aerator M24x1 (5 l/min)	92996000	£ 35,00	1
14	service tool	95661000	£ 6,10	1
15	O-ring 18x1,5	98231000	£ 3,30	1
16	escutcheon for spout	93162000	£ 43,00	1
17	connecting thread G½	95626000	£ 43,00	1
18	O-ring 13x2	98128000	£ 3,30	1
19	extension set 25 mm for 13622180	31971000	£ 169,00	1
a	base body	13622180	£ 355,00	1
b	waste	50001000	£ 71,00	1
c	adapter for exchanged connections	93819000	£ 173,00	1