

## Metropol

### Single lever basin mixer 230 with loop handle and push-open waste set

Finish: **Chrome** Article Number: **74511000**



#### Description

##### product features

- consists of: single lever basin mixer, waste set
- ComfortZone 230
- projection: 165 mm
- spout height: 226 mm
- handle variant: flat handle
- swivel range 120°
- spray type: normal spray
- maximum flow rate at 3 bar: 5 l/min
- ceramic cartridge
- temperature limitation adjustable
- suitable for continuous flow water heaters
- push-open waste set G 1¼
- material waste set: metal
- connection type: G ¾ connections
- connection dimension: DN15
- handle position on the side: bottom-side at the base body (not suitable for wash bowls)
- WRAS 1903349

#### Article Details

Price excl. VAT

541,67 £

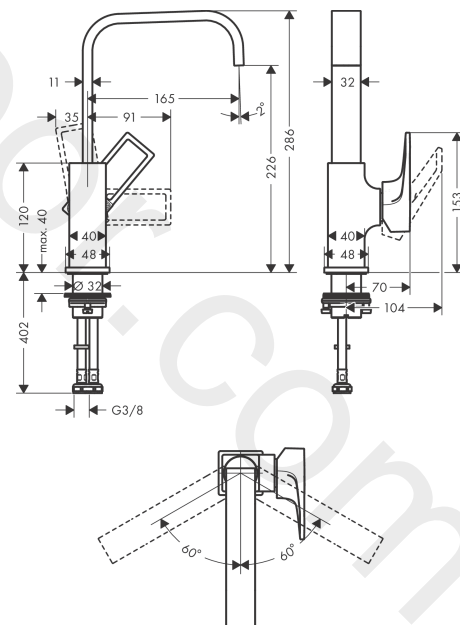
#### Technology



#### Product image



#### Scale drawing



**Metropol**

**Single lever basin mixer 230 with loop handle and push-open waste set**

Finish: **Chrome** Article Number: **74511000**



Flowchart



www.divapor.com

**Metropol**

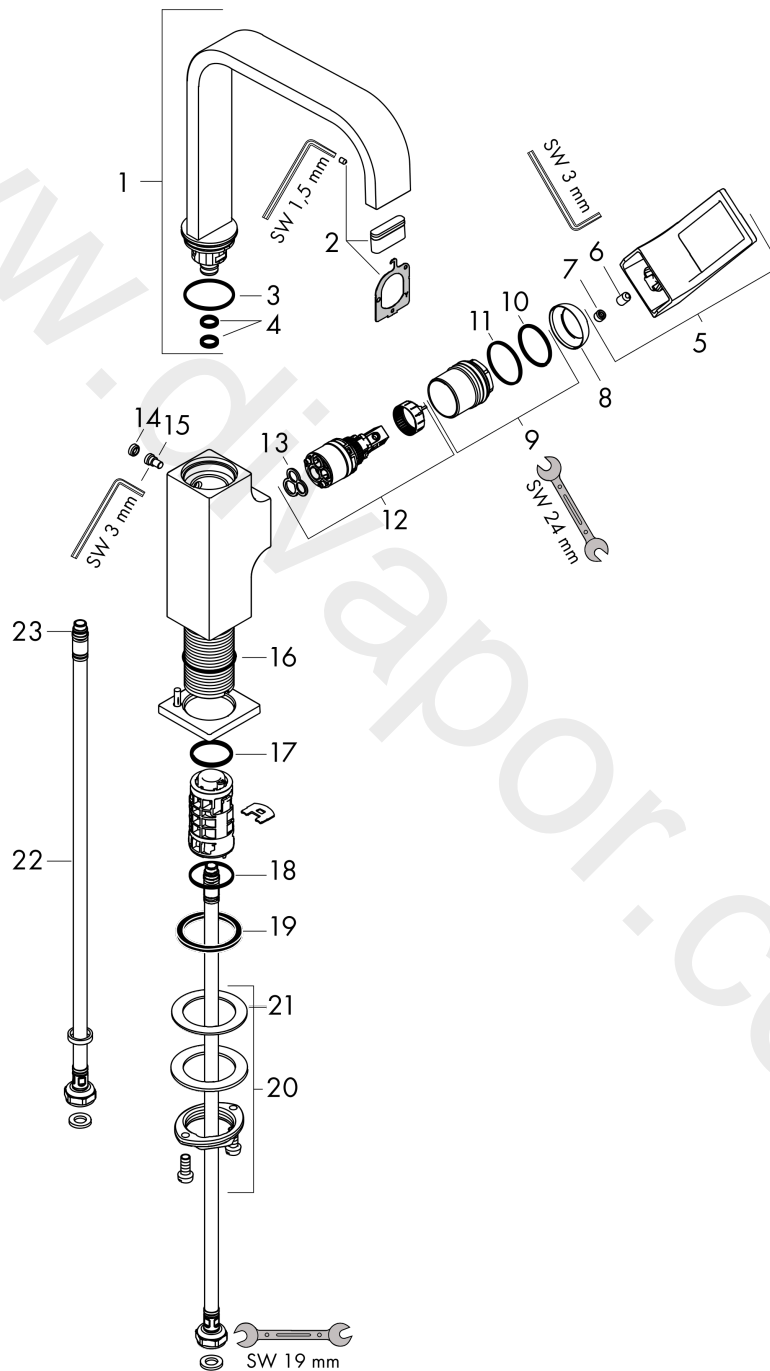
**Single lever basin mixer 230 with loop handle and push-open waste set**

Finish: **Chrome** Article Number: **74511000**



**Exploded Drawing**

Year of production: >10/17



**Metropol****Single lever basin mixer 230 with loop handle and push-open waste set**Finish: **Chrome** Article Number: **74511000****Spare part list**

Year of production: &gt;10/17

Pos.	Description	Article Number	Price	PU
1	spout 165 mm	93084000	£ 370,00	1
2	spray former	93085000	£ 35,00	1
3	O-ring 30x1,5	98433000	£ 3,30	1
4	O-ring 8x2	98112000	£ 3,30	1
5	handle	93083000	£ 43,00	1
6	hollow set screw M6x10 DIN 916	96029000	£ 3,30	1
7	screw cover	95704000	£ 3,30	1
8	flange	95493000	£ 20,50	1
9	nut	93086000	-	1
10	O-Ring 22x2	98185000	£ 3,30	1
11	O-ring 27x1,5	92527000	£ 13,30	1
12	cartridge, assy	97685000	£ 64,00	1
13	seal	98865000	£ 35,00	1
14	plug	93087000	£ 3,30	1
15	screw	93088000	£ 43,00	1
16	O-ring 32x1,5	92936000	£ 3,30	1
17	O-ring 24x2	98388000	£ 3,30	1
18	O-ring 26x1,5	98390000	£ 3,30	1
19	flat seal	98749000	£ 6,10	1
20	fixing set (Ø 32)	13961000	£ 25,00	1
21	lever collar	97548000	£ 3,30	1
22	connection hose 450 mm M8x0,75 G3/8	97206000	£ 35,00	1
23	O-ring 6,6x1,6	93019000	£ 3,30	1
a	push-open waste set	50100000	£ 78,00	1
b	fixation extension 35 mm	13898000	£ 79,00	1