

## Metropol

### Single lever basin mixer 110 with loop handle and pop-up waste set

Finish: **Chrome** Article Number: **74506000**



#### Description

##### product features

- consists of: single lever basin mixer, waste set
- ComfortZone 110
- projection: 135 mm
- spout height: 117 mm
- handle variant: lever handle
- spray type: normal spray
- maximum flow rate at 3 bar: 5 l/min
- ceramic cartridge
- temperature limitation adjustable
- suitable for continuous flow water heaters
- pop-up waste set G 1¼
- material waste set: metal
- connection type: G ¾ connections
- connection dimension: DN15
- EU taxonomy: max. 6 l/min - Substantial Contribution (SC) possible
- WRAS 2305039
- WRAS 2305039 - Approval letter 2305039

#### Article Details

Price excl. VAT

404,17 £

#### Technology



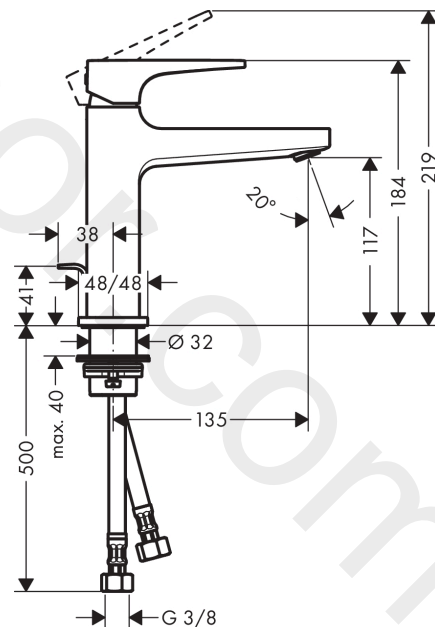
#### Certificates / Sustainability



#### Product image



#### Scale drawing



**Metropol**

**Single lever basin mixer 110 with loop handle and pop-up waste set**

Finish: **Chrome** Article Number: **74506000**



**Flowchart**



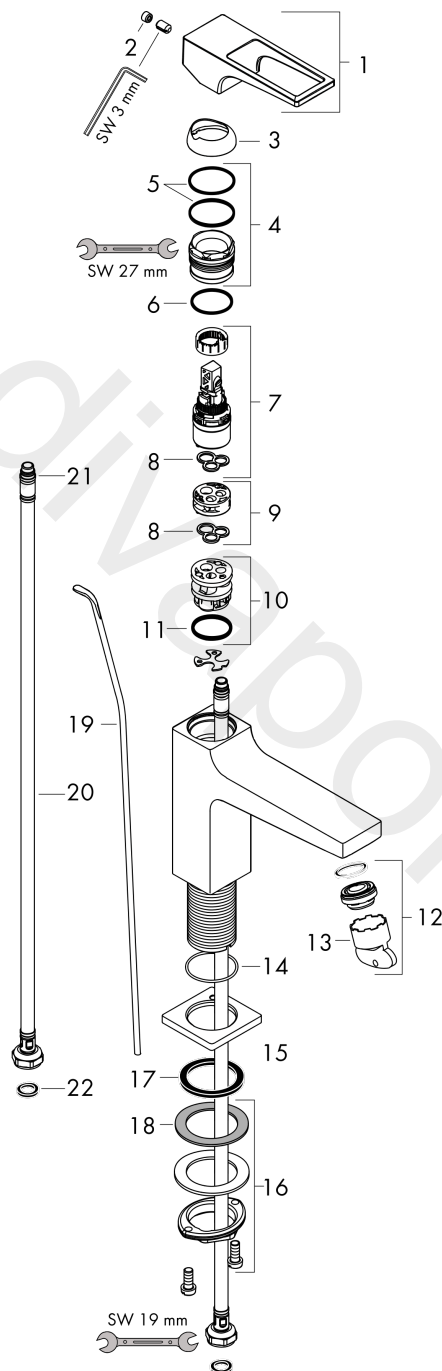
www.divapor.com

**Metropol**  
**Single lever basin mixer 110 with loop handle and pop-up waste set**  
 Finish: **Chrome** Article Number: **74506000**



**Exploded Drawing**

Year of production: >10/16



**Metropol****Single lever basin mixer 110 with loop handle and pop-up waste set**Finish: **Chrome** Article Number: **74506000****Spare part list**

Year of production: &gt;10/16

Pos.	Description	Article Number	Price	PU
1	handle	93009000	£ 79,00	1
2	screw cover	95704000	£ 3,30	1
3	flange	92625000	£ 35,00	1
4	nut	92689000	£ 25,00	1
5	O-ring 27x1,5	92527000	£ 13,30	1
6	O-ring 25x1,5	98146000	£ 3,30	1
7	cartridge, assy	97685000	£ 64,00	1
8	seal	98865000	£ 35,00	1
9	adapter for cartridge	92628000	£ 20,50	1
10	adapter for cartridge	98866000	£ 35,00	1
11	O-ring 23x2	98398000	£ 3,30	1
12	aerator M24x1 (5 l/min)	92996000	£ 35,00	1
13	service tool	95661000	£ 6,10	1
14	O-ring 32x1,5	92936000	£ 3,30	1
15	escutcheon	93048000	£ 43,00	1
16	fixing set (Ø 32)	13961000	£ 25,00	1
17	flat seal	98749000	£ 6,10	1
18	lever collar	97548000	£ 3,30	1
19	pull rod	96657000	£ 13,30	1
20	connection hose 600 mm M8x0,75 G3/8	96556000	£ 25,00	1
21	O-ring 6,6x1,6	93019000	£ 3,30	1
22	sealing set	95581000	£ 6,10	1
a	pop up waste	94139000	£ 96,00	1
b	fixation extension 35 mm	13898000	£ 79,00	1