

Talis Select S

Single lever kitchen mixer 300, pull-out spray, 2jet, sBox

Finish: **Stainless Steel Optic** Article Number: **73867801**



Description

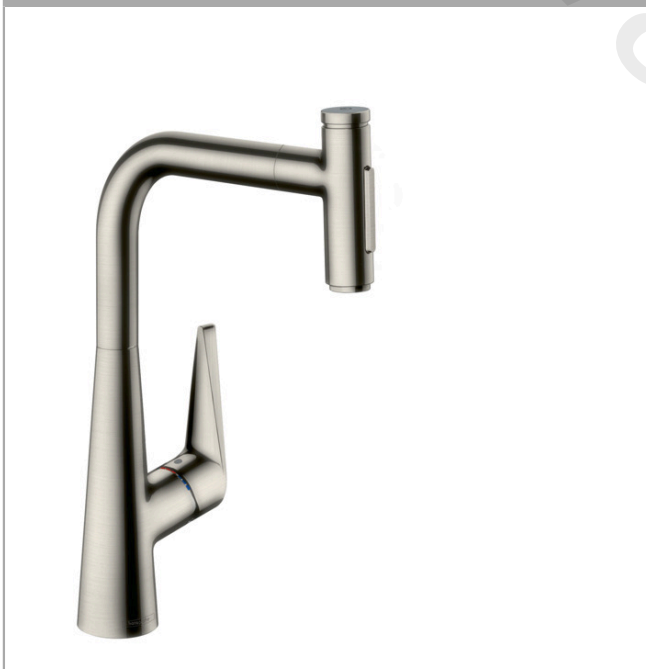
product features

- swivel range adjustable in 2 steps to 110° or 150°
- laminar spray, shower spray
- lockable shower spray, spray returns through pressing spray diverter and spray returns automatically through handle closing
- Select button for a comfortable start/stop of the water flow
- MagFit magnetic shower support
- connection dimension: DN15
- maximum flow rate at 3 bar: 6,6 l/min
- ceramic cartridge
- connection type: G 3/8 compression
- temperature limitation adjustable
- integrated non-return valve
- suitable for continuous flow water heaters
- sBox for quiet, smooth and protected hose guidance in the cabinet, under the countertop
- extension length up to 76 cm

Technology



Product image

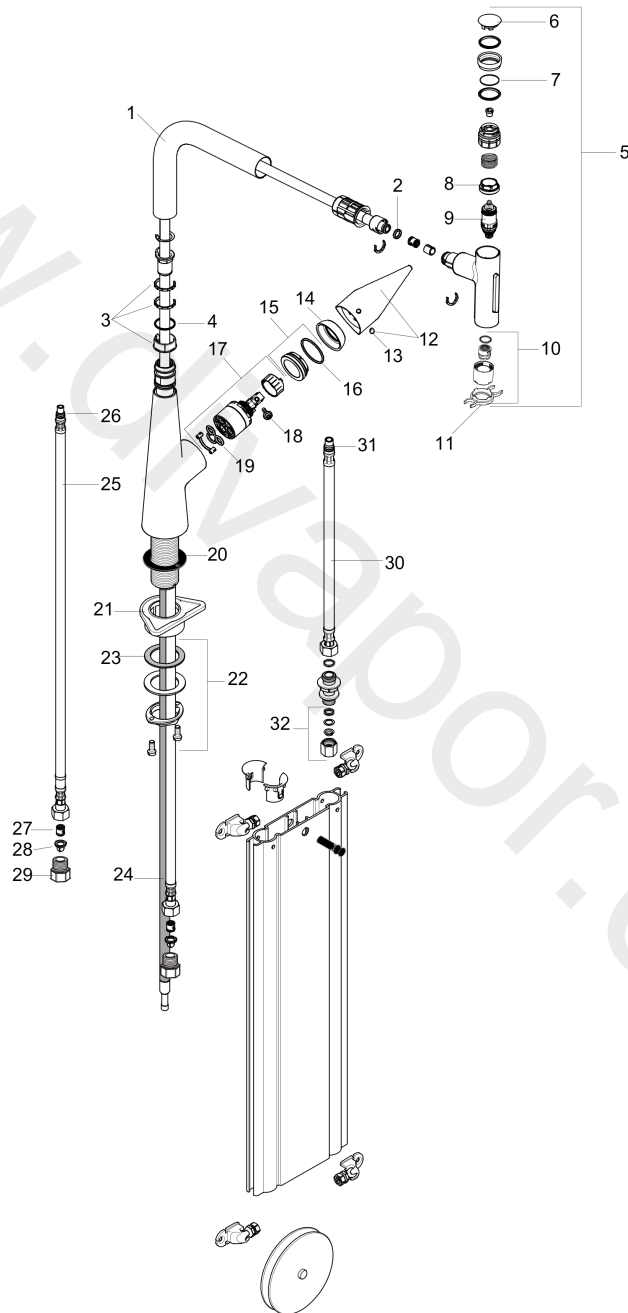


Talis Select S
Single lever kitchen mixer 300, pull-out spray, 2jet, sBox
 Finish: **Stainless Steel Optic** Article Number: **73867801**



Exploded Drawing

Year of production: >07/19



Talis Select S

Single lever kitchen mixer 300, pull-out spray, 2jet, sBox

Finish: **Stainless Steel Optic** Article Number: **73867801**



Spare part list

Year of production: >07/19

Pos.	Description	Article Number	Price	PU
1	spout cpl.	92583800	£ 137,00	1
2	O-ring 8x2	98112000	£ 3,30	1
3	set of lever collars	98365000	£ 9,00	1
4	O-ring 21x2,5	98211000	£ 3,30	1
5	handspray	93412801	-	1
6	cover	92566800	£ 25,00	1
7	O-Ring 14x1,5	98201000	£ 3,30	1
8	nut	92567000	£ 20,50	1
9	shut off unit	98463000	£ 51,00	1
10	spray former	93342000	£ 51,00	1
11	service tool	95910000	£ 9,00	1
12	handle	92581800	£ 96,00	1
13	screw cover	96338000	£ 3,30	1
14	flange	95498800	£ 25,00	1
15	nut	97209000	£ 16,10	1
16	O-Ring 32x2	98193000	£ 3,30	1
17	cartridge, assy	92730000	£ 35,00	1
18	locking screw for handle	95140000	£ 6,10	1
19	seal	95008000	£ 9,00	1
20	seal	92582000	£ 3,30	1
21	support	97523000	£ 6,10	1
22	fixing set (Ø 34)	95049000	£ 16,10	1
23	lever collar	97548000	£ 3,30	1
24	hose 1,50 m	92569000	£ 79,00	1
25	connection hose 900 mm M8x0,75 G3/8	95372000	£ 35,00	1
26	O-ring 7x1,5	98422000	£ 3,30	1
27	non return valve DW 10	96456000	£ 9,00	1
28	filter packing	95291000	£ 13,30	1
29	adapter for connection hose	88802000	-	1
30	connection hose 450 mm M10x1 G3/8	96507000	£ 43,00	1
31	O-ring 8x1,75	97827000	£ 3,30	1
32	squeezing connection	96099000	£ 9,00	1
a	extension set	43333000	£ 30,00	1