

Talis Select M51
Single lever kitchen mixer 300, pull-out spray, 2jet, sBox
 Finish: **Chrome** Article Number: **73867007**

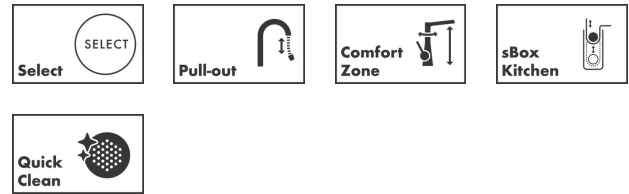


Description

product features

- consists of: single lever kitchen mixer, hose box
- ComfortZone 300
- swivel range adjustable in 2 steps to 110° or 150°
- laminar spray, shower spray
- lockable shower spray, spray returns through pressing spray diverter and spray returns automatically through handle closing
- Select button for a comfortable start/stop of the water flow
- MagFit magnetic shower support
- connection dimension: DN15
- maximum flow rate at 3 bar: 9 l/min
- ceramic cartridge
- connection type: G 3/8 connections
- temperature limitation adjustable
- integrated non-return valve
- suitable for continuous flow water heaters
- sBox for quiet, smooth and protected hose guidance in the cabinet, under the countertop
- extension length up to 76 cm

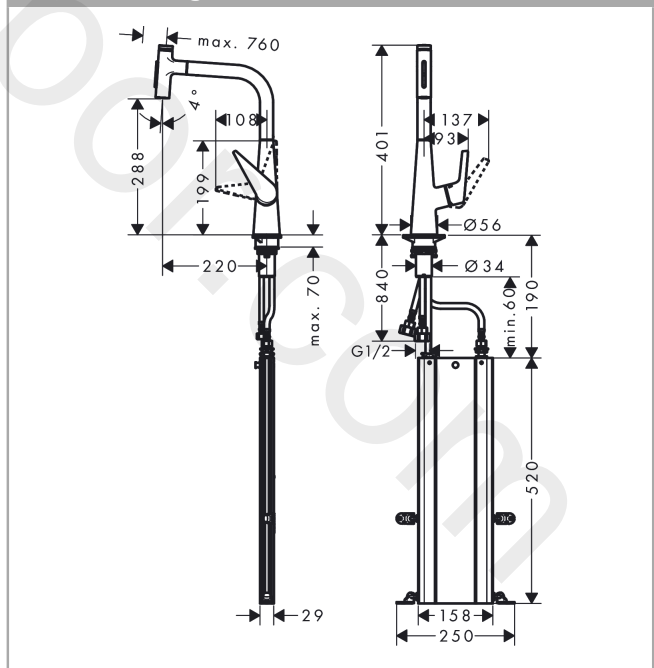
Technology



Product image



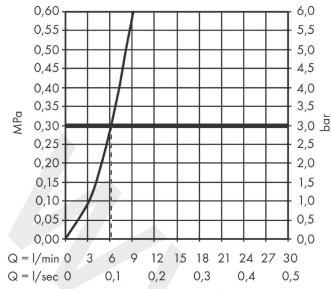
Scale drawing



Talis Select M51
Single lever kitchen mixer 300, pull-out spray, 2jet, sBox
 Finish: **Chrome** Article Number: **73867007**



Flowchart



Talis Select M51**Single lever kitchen mixer 300, pull-out spray, 2jet, sBox**Finish: **Chrome** Article Number: **73867007****Spare part list**

Year of production: >08/19

Pos.	Description	Article Number	Price	PU
1	spout cpl.	92583000	£ 79,00	1
2	O-ring 8x2	98112000	£ 3,30	1
3	handspray	93412000	£ 275,00	1
4	cover	92566880	£ 20,50	1
5	O-Ring 14x1,5	98201000	£ 3,30	1
6	nut	92567000	£ 20,50	1
7	shut off unit	98463000	£ 51,00	1
8	spray former	93342000	£ 51,00	1
9	service tool	95910000	£ 9,00	1
10	set of lever collars	98365000	£ 9,00	1
11	O-ring 21x2,5	98211000	£ 3,30	1
12	handle	92581000	£ 51,00	1
13	screw cover	96338000	£ 3,30	1
14	flange	95498000	£ 9,00	1
15	nut	97209000	£ 16,10	1
16	O-Ring 32x2	98193000	£ 3,30	1
17	cartridge, assy	92730000	£ 35,00	1
18	locking screw for handle	95140000	£ 6,10	1
19	seal	95008000	£ 9,00	1
20	seal	92582000	£ 3,30	1
21	support	97523000	£ 6,10	1
22	fixing set (Ø 34)	95049000	£ 16,10	1
23	lever collar	97548000	£ 3,30	1
24	hose	93188000	£ 137,00	1
25	non return valve DW 10	96456000	£ 9,00	1
26	filter packing	95291000	£ 13,30	1
27	connection hose 450 mm M10x1 G3/8	96507000	£ 43,00	1
28	O-ring 8x1,75	97827000	£ 3,30	1
29	squeezing connection	96099000	£ 9,00	1
30	connection hose 900 mm M8x0,75 G3/8	95372000	£ 35,00	1
31	O-ring 7x1,5	98422000	£ 3,30	1
32	sealing set	95581000	£ 6,10	1
33	extension set	43333000	£ 30,00	1
a	Grease	90920000	£ 16,10	1