

Talis M51

Single lever kitchen mixer 200, pull-out spray, 2jet, sBox

Finish: **Chrome** Article Number: **73851000**



Description

product features

- consists of: single lever kitchen mixer, hose box
- ComfortZone 200
- swivel range adjustable in 2 steps to 110° or 150°
- laminar spray, shower spray
- lockable shower spray, spray returns through pressing spray diverter
- MagFit magnetic shower support
- connection dimension: DN15
- maximum flow rate at 3 bar: 9 l/min
- ceramic cartridge
- connection type: G 3/8 connections
- temperature limitation adjustable
- integrated non-return valve
- suitable for continuous flow water heaters
- sBox for quiet, smooth and protected hose guidance in the cabinet, under the countertop
- extension length up to 76 cm

Article Details

Price excl. VAT

595,83 £

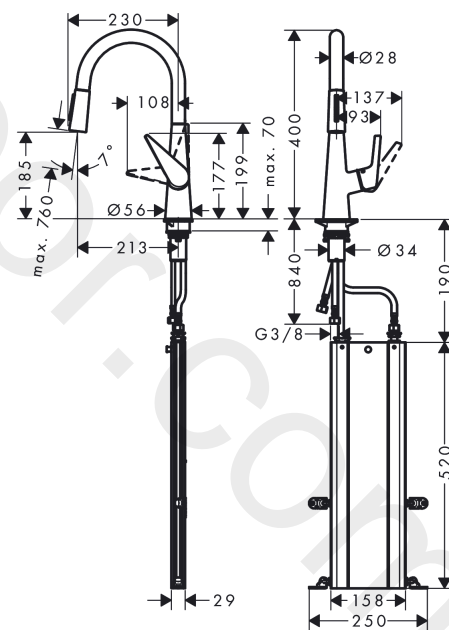
Technology



Product image



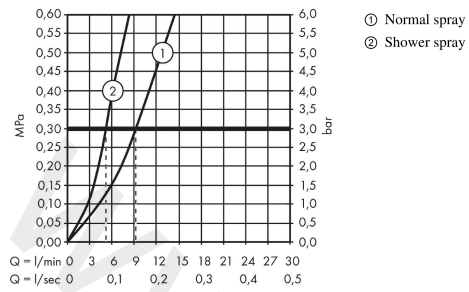
Scale drawing



Talis M51
Single lever kitchen mixer 200, pull-out spray, 2jet, sBox
 Finish: **Chrome** Article Number: **73851000**



Flowchart

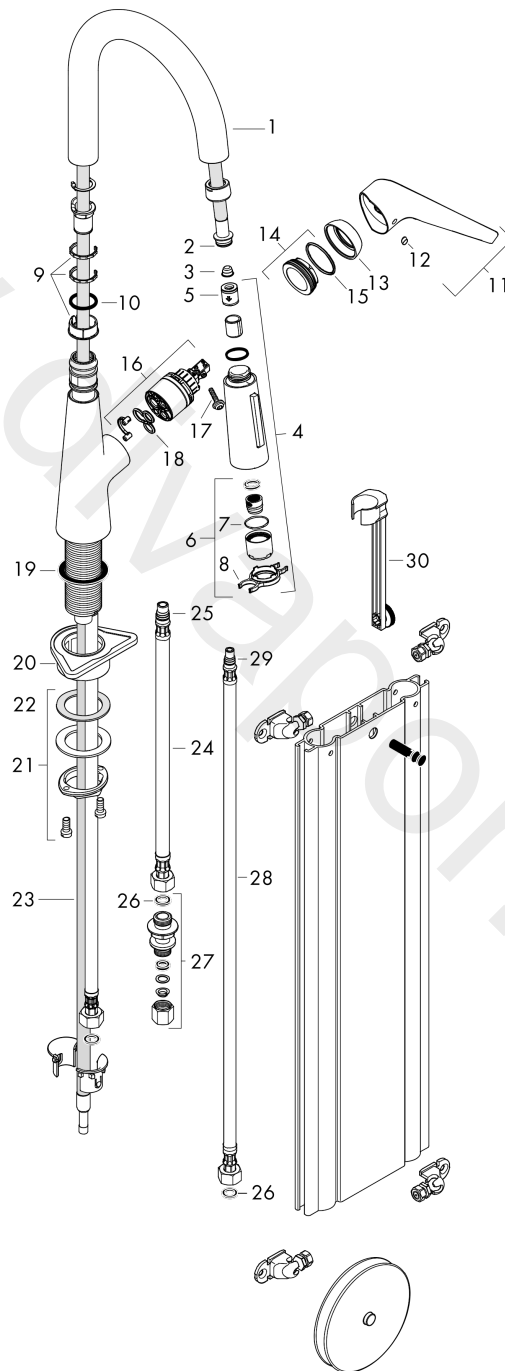


Talis M51
Single lever kitchen mixer 200, pull-out spray, 2jet, sBox
 Finish: **Chrome** Article Number: **73851000**



Exploded Drawing

Year of production: >04/17



Talis M51

Single lever kitchen mixer 200, pull-out spray, 2jet, sBox

Finish: **Chrome** Article Number: **73851000**



Spare part list

Year of production: >04/17

Pos.	Description	Article Number	Price	PU
1	spout cpl.	92731000	£ 173,00	1
2	O-ring 11x2	98127000	£ 3,30	1
3	filter	97735000	£ 3,30	1
4	handspray	92732000	£ 137,00	1
5	set of non return valves DW 15	94074000	£ 16,10	1
6	aerator laminar M22x1 (15 l/min)	95909000	£ 51,00	1
7	O-ring 20x1	98140000	£ 3,30	1
8	service tool	95910000	£ 9,00	1
9	set of lever collars	98365000	£ 9,00	1
10	O-ring 21x2,5	98211000	£ 3,30	1
11	handle	92581000	£ 51,00	1
12	screw cover	96338000	£ 3,30	1
13	flange	95498000	£ 9,00	1
14	nut	97209000	£ 16,10	1
15	O-Ring 32x2	98193000	£ 3,30	1
16	cartridge, assy	92730000	£ 35,00	1
17	locking screw for handle	95140000	£ 6,10	1
18	seal	95008000	£ 9,00	1
19	seal	92582000	£ 3,30	1
20	support	97523000	£ 6,10	1
21	fixing set (Ø 34)	95049000	£ 16,10	1
22	lever collar	97548000	£ 3,30	1
23	hose	93191000	£ 96,00	1
24	connection hose 600 mm M10x1	92568000	£ 64,00	1
25	O-ring 8x1,75	97827000	£ 3,30	1
26	sealing set	95581000	£ 6,10	1
27	squeezing connection	96099000	£ 9,00	1
28	connection hose 900 mm M8x0,75 G3/8	96316000	£ 43,00	1
29	O-ring 7x1,5	98422000	£ 3,30	1
30	extension set	43333000	-	1