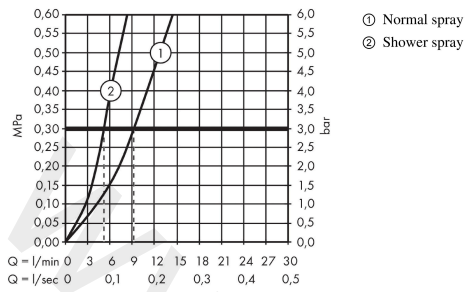


Talis M51
Single lever kitchen mixer 160, pull-out spray, 2jet, sBox
 Finish: **Chrome** Article Number: **73850000**



Flowchart

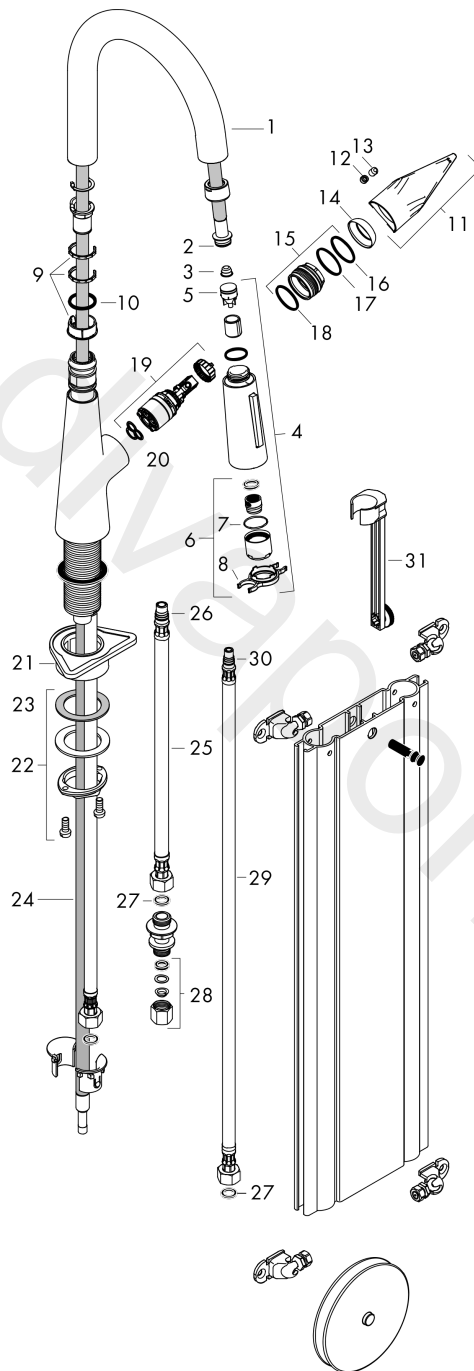


Talis M51
Single lever kitchen mixer 160, pull-out spray, 2jet, sBox
 Finish: **Chrome** Article Number: **73850000**



Exploded Drawing

Year of production: >04/19



Talis M51

Single lever kitchen mixer 160, pull-out spray, 2jet, sBox

Finish: **Chrome** Article Number: **73850000**



Spare part list

Year of production: >04/19

Pos.	Description	Article Number	Price	PU
1	spout cpl.	93159000	£ 137,00	1
2	O-ring 11x2	98127000	£ 3,30	1
3	filter	97735000	£ 3,30	1
4	handspray	92732000	£ 137,00	1
5	non return valve	96737000	£ 35,00	1
6	aerator laminar M22x1 (15 l/min)	95909000	£ 51,00	1
7	O-ring 20x1	98140000	£ 3,30	1
8	service tool	95910000	£ 9,00	1
9	set of lever collars	98365000	£ 9,00	1
10	O-ring 21x2,5	98211000	£ 3,30	1
11	handle	93148000	£ 35,00	1
12	screw cover	95704000	£ 3,30	1
13	hollow set screw M6x10 DIN 916	96029000	£ 3,30	1
14	flange	95493000	£ 20,50	1
15	nut	98864000	£ 43,00	1
16	O-ring 23x2	98398000	£ 3,30	1
17	O-ring 27x1,5	92527000	£ 13,30	1
18	O-ring 25x1,5	98146000	£ 3,30	1
19	cartridge, assy	97685000	£ 64,00	1
20	seal	98865000	£ 35,00	1
21	support	97523000	£ 6,10	1
22	fixing set (Ø 34)	95049000	£ 16,10	1
23	lever collar	97548000	£ 3,30	1
24	hose	93191000	£ 96,00	1
25	connection hose 450 mm M10x1 G3/8	96507000	£ 43,00	1
26	O-ring 8x1,75	97827000	£ 3,30	1
27	sealing set	95581000	£ 6,10	1
28	squeezing connection	96099000	£ 9,00	1
29	connection hose 900 mm M8x0,75 G3/8	96316000	£ 43,00	1
30	O-ring 7x1,5	98422000	£ 3,30	1
31	extension set	43333000	-	1