

## Talis M54

Single lever kitchen mixer U 220, EcoSmart, 1jet

Finish: **Chrome** Article Number: **72844000**



### Description

#### product features

- ComfortZone 220
- swivel range adjustable in 4 steps 60°, 110°, 150° or 360°
- laminar spray
- connection dimension: DN15
- maximum flow rate at 3 bar: 5,7 l/min
- ceramic cartridge
- connection type: G 3/8 connections
- temperature limitation adjustable
- suitable for continuous flow water heaters
- tap hole with Ø 35 mm required
- EU taxonomy: max. 6 l/min - Substantial Contribution (SC) possible
- WRAS 2307036
- WRAS 2307036 - Approval letter 2307036

### Article Details

Price excl. VAT

212,50 £

### Technology



### Design awards



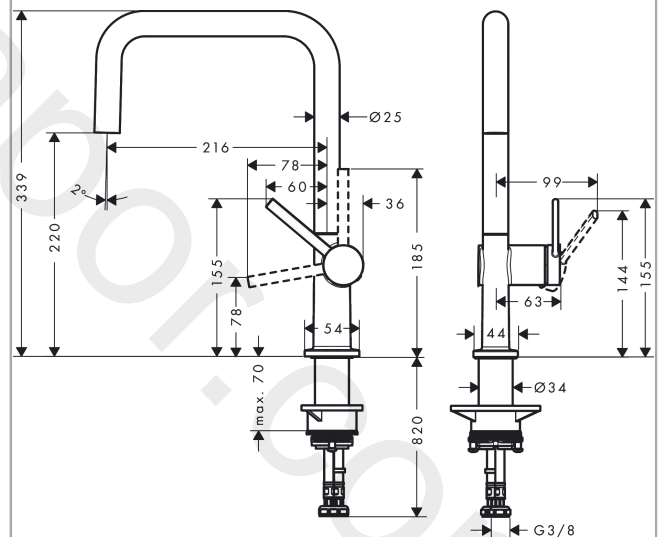
reddot winner 2020



### Product image



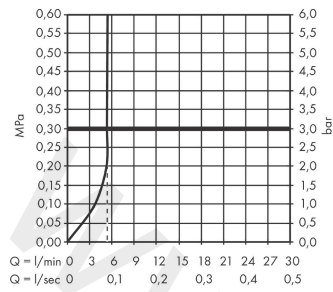
### Scale drawing



**Talis M54**  
**Single lever kitchen mixer U 220, EcoSmart, 1jet**  
 Finish: **Chrome** Article Number: **72844000**



**Flowchart**



www.divapor.com

**Talis M54**

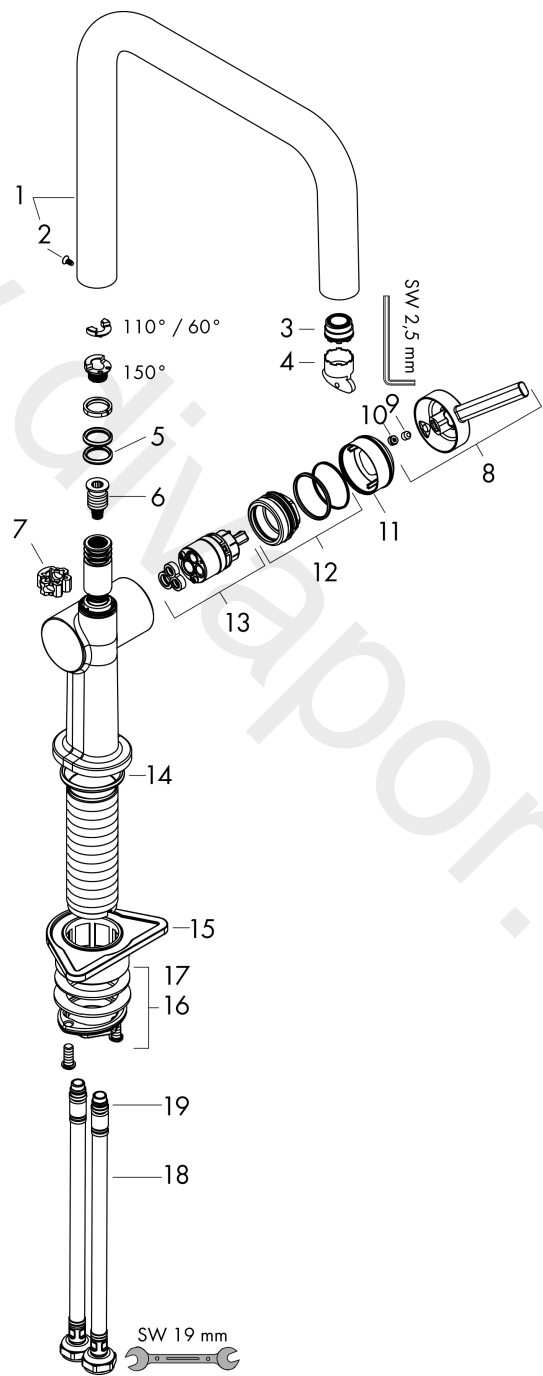
**Single lever kitchen mixer U 220, EcoSmart, 1jet**

Finish: **Chrome** Article Number: **72844000**



**Exploded Drawing**

Year of production: >12/19



## Talis M54

Single lever kitchen mixer U 220, EcoSmart, 1jet

Finish: **Chrome** Article Number: **72844000**



### Spare part list

Year of production: >12/19

Pos.	Description	Article Number	Price	PU
1	spout cpl.	93756000	£ 173,00	1
2	screw	97662000	£ 9,00	1
3	spray former	93755000	£ 25,00	1
4	service tool	93750000	£ 9,00	1
5	O-Ring 14x2,5	98189000	£ 3,30	1
6	service unit	93507000	£ 43,00	1
7	axialring	97558000	£ 3,30	1
8	handle	93736000	£ 43,00	1
9	hollow set screw M5x5	98446000	£ 3,30	1
10	screw cover	93735610	£ 9,00	1
11	flange	93737000	£ 43,00	1
12	nut	93738000	£ 51,00	1
13	cartridge, assy	93760000	£ 96,00	1
14	O-ring 36x3	98052000	£ 3,30	1
15	support	97523000	£ 6,10	1
16	fixing set (Ø 34)	95049000	£ 16,10	1
17	lever collar	97548000	£ 3,30	1
18	connection hose 900 mm M8x0,75 G3/8	93746000	£ 43,00	1
19	O-ring 6,6x1,6	93019000	£ 3,30	1
a	set of adapters	93395000	£ 25,00	1