

Talis M51

Single lever kitchen mixer 220, 1jet

Finish: **Stainless Steel Finish** Article Number: **72814800**



Description

product features

- ComfortZone 220
- swivel range adjustable in 3 steps 110°, 150° or 360°
- normal spray
- connection dimension: DN15
- maximum flow rate at 3 bar: 10 l/min
- ceramic cartridge
- connection type: G 3/8 connections
- temperature limitation adjustable
- suitable for continuous flow water heaters

Article Details

Price excl. VAT

455,00 £

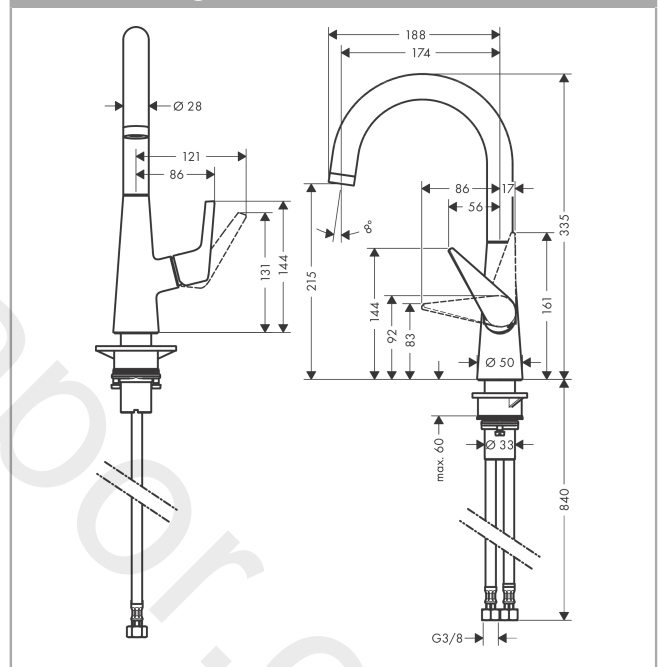
Technology



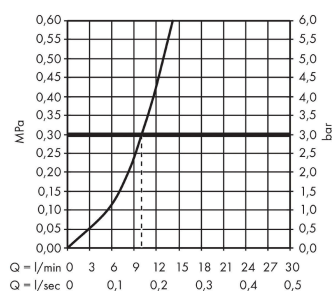
Product image



Scale drawing



Flowchart

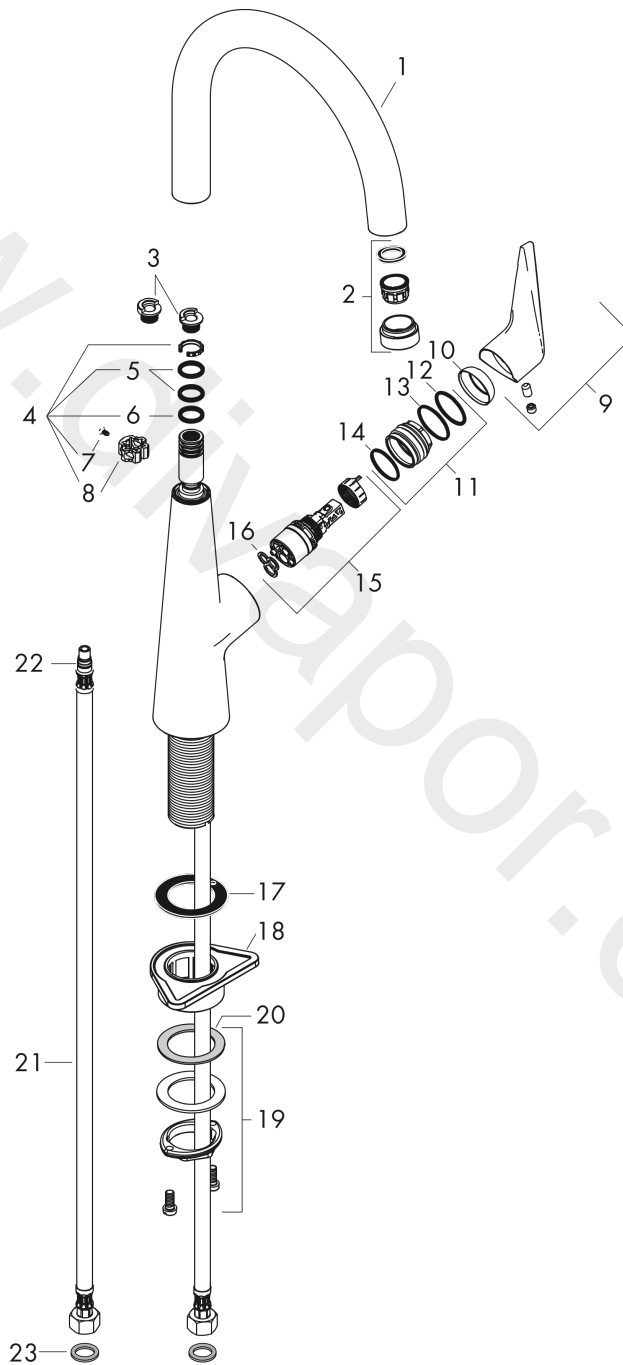


Talis M51
 Single lever kitchen mixer 220, 1jet
 Finish: **Stainless Steel Finish** Article Number: **72814800**



Exploded Drawing

Year of production: >04/17



Talis M51**Single lever kitchen mixer 220, 1jet**Finish: **Stainless Steel Finish** Article Number: **72814800****Spare part list**

Year of production: >04/17

Pos.	Description	Article Number	Price	PU
1	spout cpl.	93147800	£ 275,00	1
2	aerator M24x1 (15 l/min)	97691000	£ 51,00	1
3	set of locating rings (110° / 150°)	98486000	£ 16,10	1
4	sealing set	92646000	£ 20,50	1
5	O-Ring 14x2,5	98189000	£ 3,30	1
6	O-ring 11x3	92481000	£ 3,30	1
7	screw	97662000	£ 9,00	1
8	axialring	97558000	£ 3,30	1
9	handle	93148800	£ 51,00	1
10	flange	95493800	£ 35,00	1
11	nut	98864000	£ 43,00	1
12	O-ring 23x2	98398000	£ 3,30	1
13	O-ring 27x1,5	92527000	£ 13,30	1
14	O-ring 25x1,5	98146000	£ 3,30	1
15	cartridge, assy	97685000	£ 64,00	1
16	seal	98865000	£ 35,00	1
17	seal	92582000	£ 3,30	1
18	support	97523000	£ 6,10	1
19	fixing set (Ø 34)	95049000	£ 16,10	1
20	lever collar	97548000	£ 3,30	1
21	connection hose 900 mm M8x0,75 G3/8	98758000	£ 35,00	1
22	O-ring 7x1,5	98422000	£ 3,30	1
23	sealing set	95581000	£ 6,10	1