

## Rebris E

Single lever shower mixer for exposed installation with centre distance 15.3 cm

Finish: **Chrome** Article Number: **72652000**



### Description

#### product features

- 1 function
- centre distance: 153 mm
- maximum flow rate at 3 bar: 12 l/min
- flow rate of hand shower at 3 bar: 12 l/min
- ceramic cartridge
- temperature limitation adjustable
- non-return valve
- with silencer
- hose connection DN15
- connection dimension: DN20
- min. operating pressure: 1 bar
- max. operating pressure: 10 bar

### Design awards



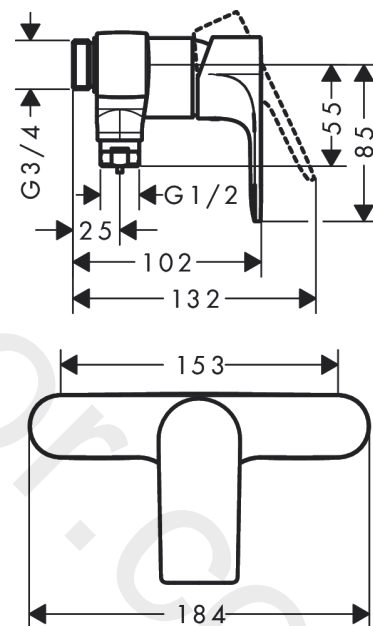
reddot winner 2022



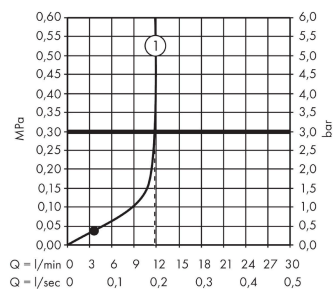
### Product image



### Scale drawing



### Flowchart



**Rebris E**

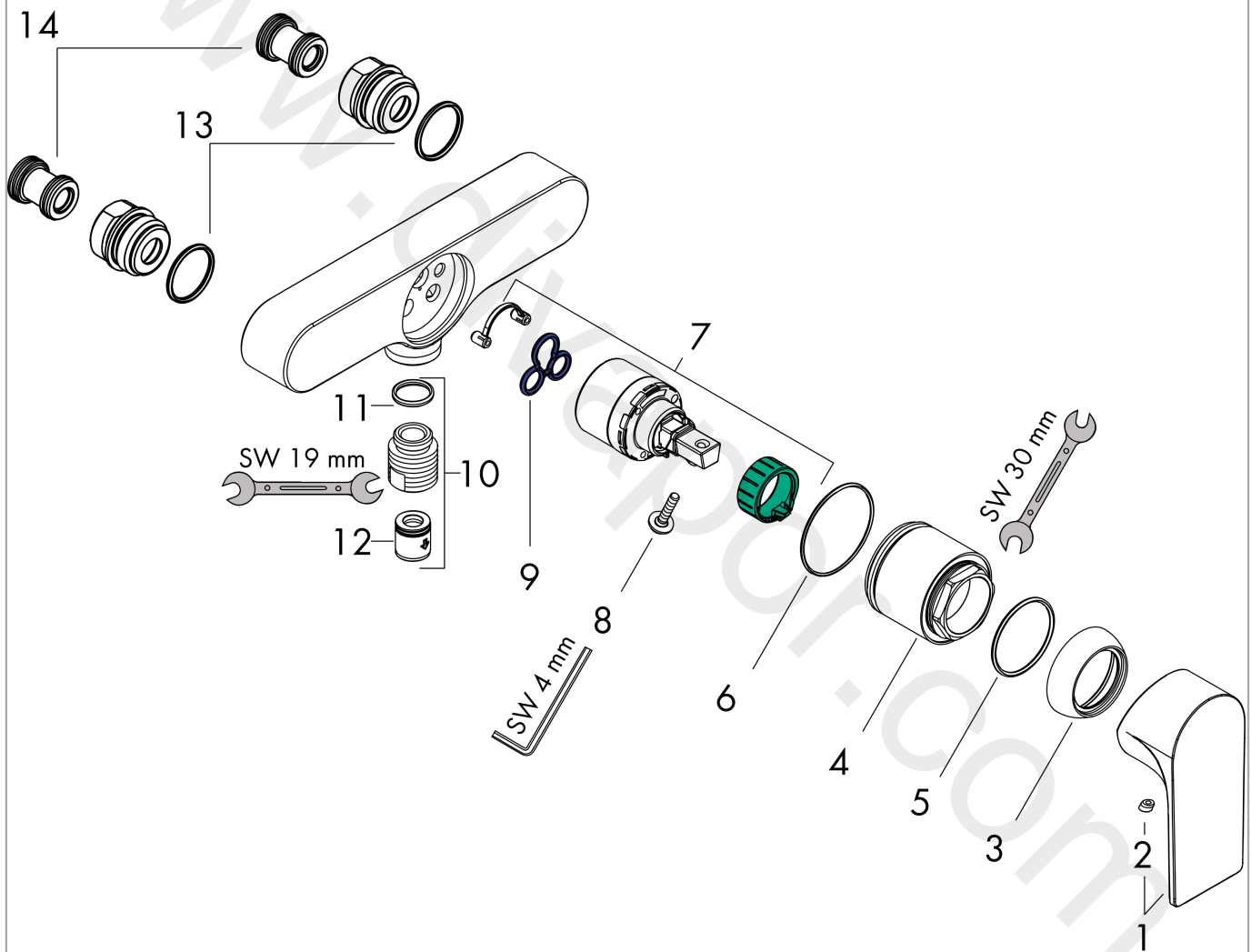
Single lever shower mixer for exposed installation with centre distance 15.3 cm

Finish: **Chrome** Article Number: **72652000**



**Exploded Drawing**

Year of production: >06/22



**Rebris E**

**Single lever shower mixer for exposed installation with centre distance 15.3 cm**

Finish: **Chrome** Article Number: **72652000**



**Spare part list**

Year of production: >06/22

Pos.	Description	Article Number	Price	PU
1	handle	94655000	£ 51,00	1
2	screw cover	96338000	£ 3,30	1
3	flange	97406000	£ 20,50	1
4	nut	97977000	£ 43,00	1
5	O-Ring 32x2	98193000	£ 3,30	1
6	O-ring 33x1,5	98164000	£ 3,30	1
7	cartridge, assy	92730000	£ 35,00	1
8	locking screw for handle	95140000	£ 6,10	1
9	seal	95008000	£ 9,00	1
10	Hose Connection	96044000	£ 25,00	1
11	O-ring 14x2	98129000	£ 3,30	1
12	non return valve	93251000	£ 137,00	1
13	O-ring 23x2	98398000	£ 3,30	1
14	noise reduction	96429000	£ 6,10	1