

**Talis S**  
**Single lever shower mixer for exposed installation**  
 Finish: **Chrome** Article Number: **72600000**



## Description

### product features

- 1 function
- centre distance: 150 ± 12 mm
- maximum flow rate at 3 bar: 31 l/min
- flow rate of hand shower at 3 bar: 14 l/min
- ceramic cartridge
- temperature limitation adjustable
- non-return valve
- with silencer
- hose connection DN15
- connection dimension: DN15
- min. operating pressure: 1 bar
- max. operating pressure: 10 bar
- connection type: s-shaped connections

## Article Details

Price excl. VAT

192,50 £

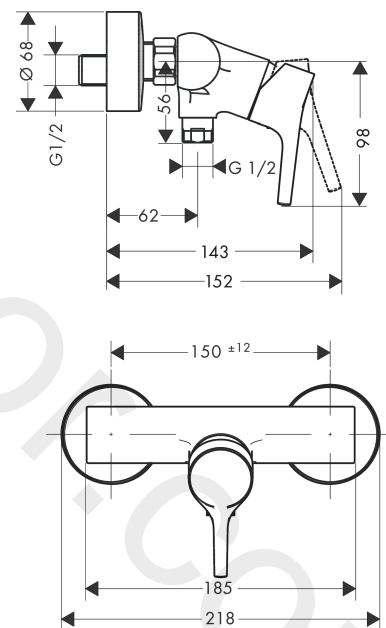
## Certificates / Sustainability



## Product image



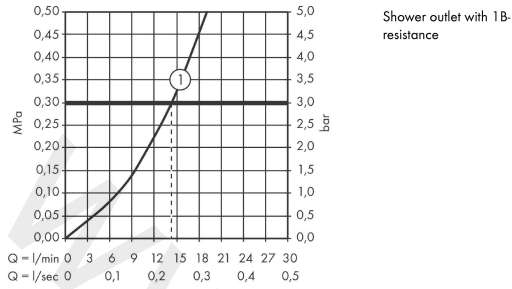
## Scale drawing



**Talis S**  
**Single lever shower mixer for exposed installation**  
 Finish: **Chrome** Article Number: **72600000**



**Flowchart**



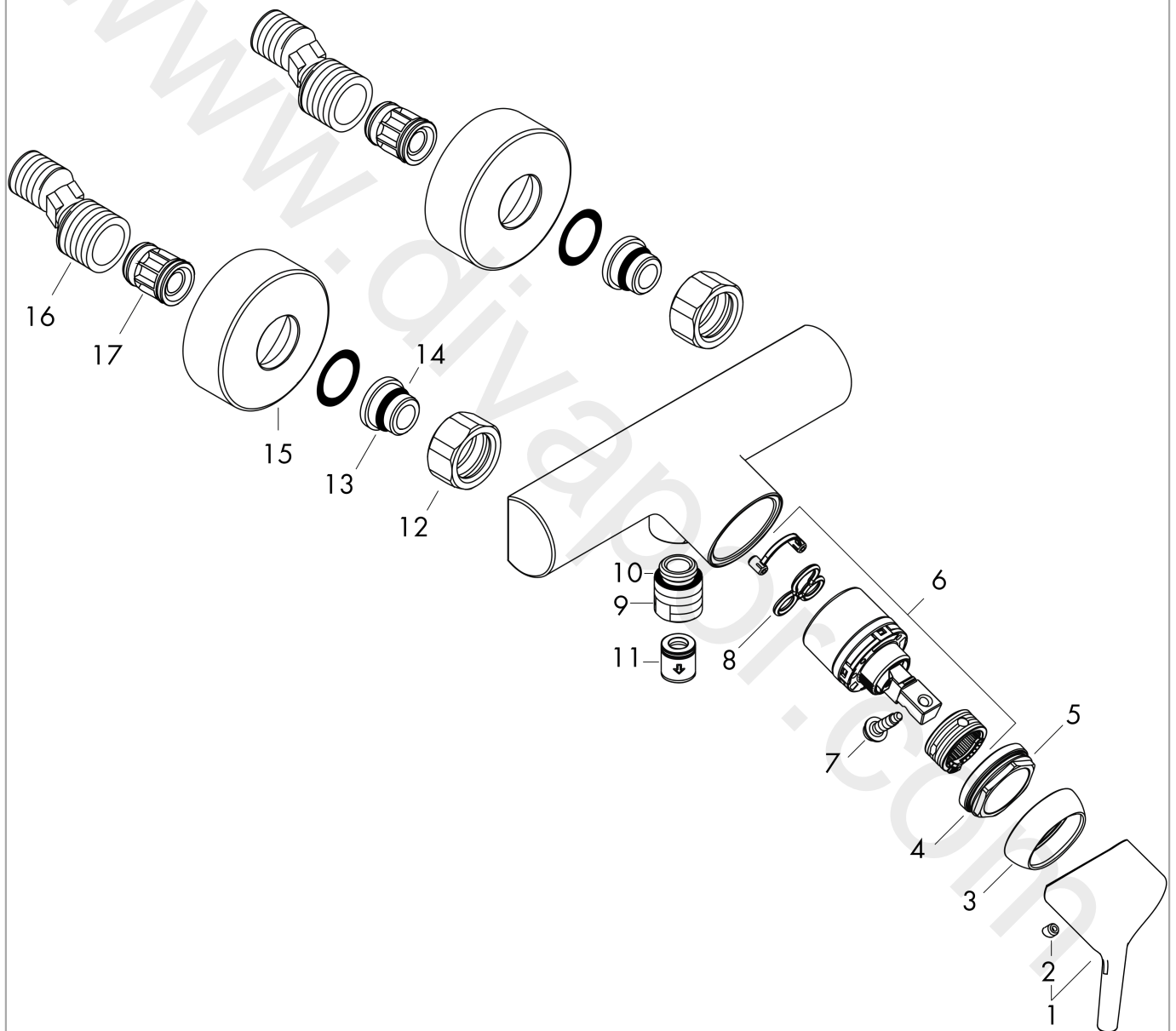
www.divapor.com

**Talis S**  
**Single lever shower mixer for exposed installation**  
 Finish: **Chrome** Article Number: **72600000**



**Exploded Drawing**

Year of production: >10/15



**Talis S**  
**Single lever shower mixer for exposed installation**  
 Finish: **Chrome** Article Number: **72600000**



## Spare part list

Year of production: >10/15

Pos.	Description	Article Number	Price	PU
1	handle	92644000	£ 35,00	1
2	screw cover	96338000	£ 3,30	1
3	flange	97406000	£ 20,50	1
4	nut	97209000	£ 16,10	1
5	O-Ring 32x2	98193000	£ 3,30	1
6	cartridge, assy	92730000	£ 35,00	1
7	locking screw for handle	95140000	£ 6,10	1
8	seal	95008000	£ 9,00	1
9	Hose Connection	96044000	£ 25,00	1
10	O-ring 14x2	98129000	£ 3,30	1
11	set of non return valves DW 15	94074000	£ 16,10	1
12	set of nuts	96157000	£ 35,00	1
13	connecting thread	97220000	£ 16,10	1
14	O-ring 15x2	98163000	£ 3,30	1
15	escutcheon Ø 68 mm	96467000	£ 20,50	1
16	set of S-unions (±12 mm)	94140000	£ 51,00	1
17	noise reduction	96429000	£ 6,10	1