

Rebris E

Single lever basin mixer 240 CoolStart for wash bowls with pop-up waste set

Finish: **Chrome** Article Number: **72581000**



Description

product features

- consists of: single lever basin mixer, waste set
- ComfortZone 240
- projection: 169 mm
- spout height: 242 mm
- handle variant: lever handle
- spray type: normal spray
- maximum flow rate at 3 bar: 5 l/min
- ceramic cartridge
- temperature limitation adjustable
- suitable for continuous flow water heaters
- pop-up waste set G 1¼
- material waste set: synthetic
- connection type: G ¾ connections
- connection dimension: DN15
- cold water in basic handle position
- EU taxonomy: max. 6 l/min - Substantial Contribution (SC) possible
- WRAS 2304315
- WRAS 2304315 - Approval letter 2304315

Article Details

Price excl. VAT

173,33 £

Technology



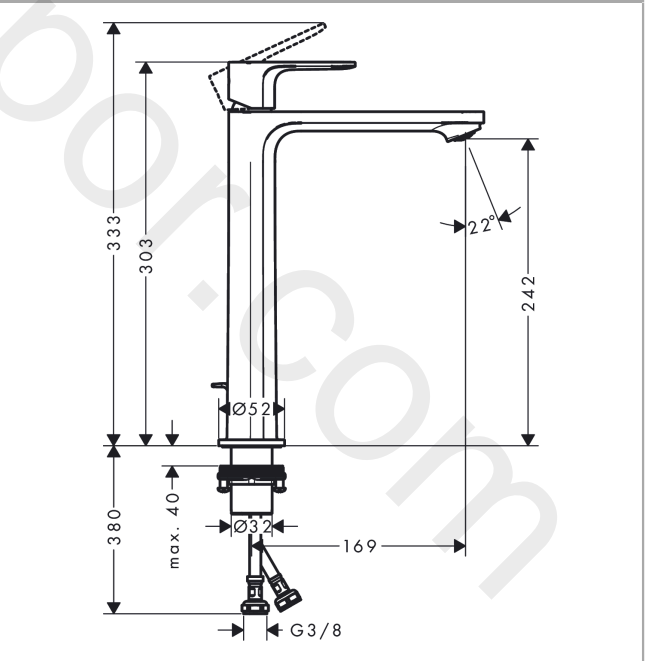
Design awards



Product image



Scale drawing



Rebris E

Single lever basin mixer 240 CoolStart for wash bowls with pop-up waste set

Finish: **Chrome** Article Number: **72581000**



Flowchart



www.divapor.com

Rebris E

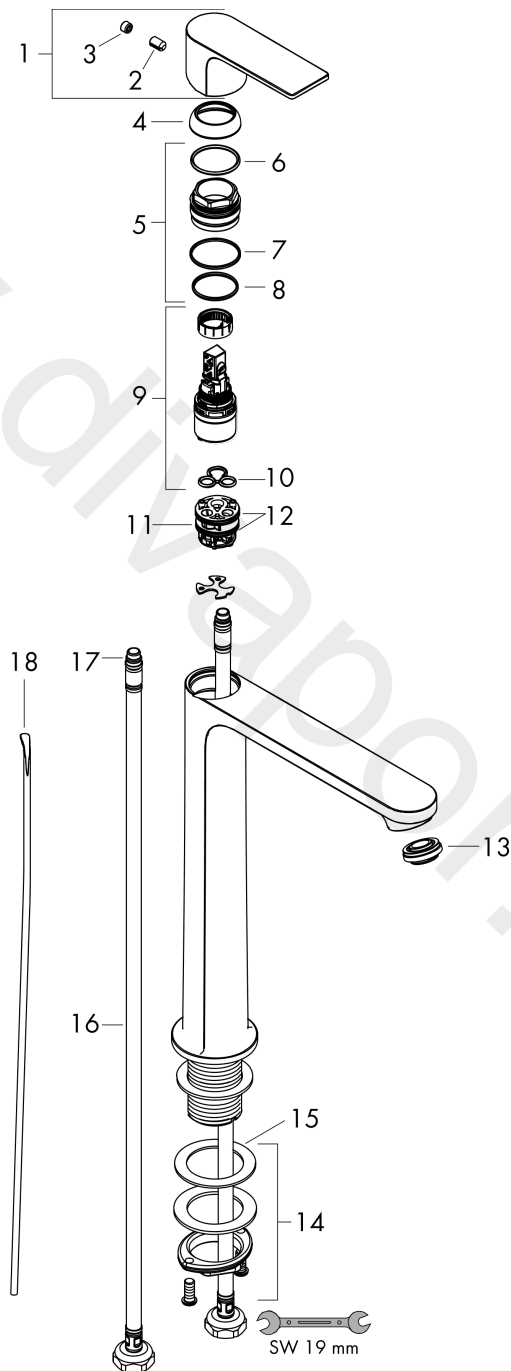
Single lever basin mixer 240 CoolStart for wash bowls with pop-up waste set

Finish: **Chrome** Article Number: **72581000**



Exploded Drawing

Year of production: >06/22



Rebris E**Single lever basin mixer 240 CoolStart for wash bowls with pop-up waste set**Finish: **Chrome** Article Number: **72581000****Spare part list**

Year of production: >06/22

Pos.	Description	Article Number	Price	PU
1	handle	94643000	£ 51,00	1
2	screw cover	95704000	£ 3,30	1
3	hollow set screw M6x10 DIN 916	96029000	£ 3,30	1
4	flange	98863000	£ 51,00	1
5	nut	98864000	£ 43,00	1
6	O-ring 24x2	98388000	£ 3,30	1
7	O-ring 27x1,5	92527000	£ 13,30	1
8	O-ring 25x1,5	98146000	£ 3,30	1
9	cartridge, assy	95973001	£ 79,00	1
10	seal	98865000	£ 35,00	1
11	adapter for cartridge	98866000	£ 35,00	1
12	O-ring 23x2	98398000	£ 3,30	1
13	aerator M24x1 (5 l/min)	94364000	£ 9,00	1
14	fixing set (Ø 32)	13961000	£ 25,00	1
15	lever collar	97548000	£ 3,30	1
16	connection hose 600 mm M8x0,75 G3/8	96556000	£ 25,00	1
17	O-ring 6,6x1,6	93019000	£ 3,30	1
18	pull rod	96657000	£ 13,30	1
a	pop up waste	92168000	£ 43,00	1
b	fixation extension 35 mm	13898000	£ 79,00	1
c	lever arm 340mm (ball-Ø12mm)	96324000	£ 25,00	1