

Rebris E

Single lever bath mixer for exposed installation with centre distance 15.3 cm

Finish: **Chrome** Article Number: **72452000**



Description

product features

- 2 functions
- projection: 173 mm
- centre distance: 153 mm
- spray type mixer: normal spray
- maximum flow rate at 3 bar: 20,5 l/min
- flow rate for bath spout at 3 bar: 20,5 l/min
- flow rate of hand shower at 3 bar: 12,5 l/min
- ceramic cartridge
- temperature limitation adjustable
- diverter with automatic resetting
- with silencer
- suitable for continuous flow water heaters
- connection dimension: DN20
- wall-mounted
- min. operating pressure: 1 bar
- max. operating pressure: 10 bar

Article Details

Price excl. VAT

129,17 £

Technology



Design awards



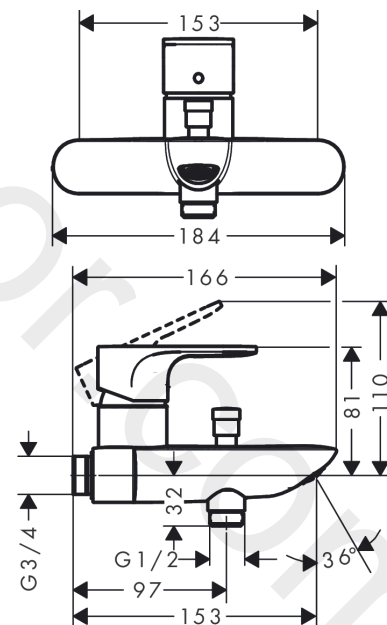
reddot winner 2022



Product image



Scale drawing



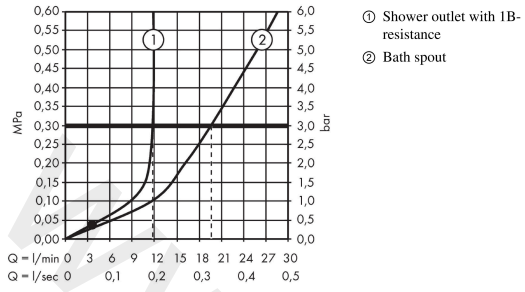
Rebris E

Single lever bath mixer for exposed installation with centre distance 15.3 cm

Finish: **Chrome** Article Number: **72452000**



Flowchart



Rebris E

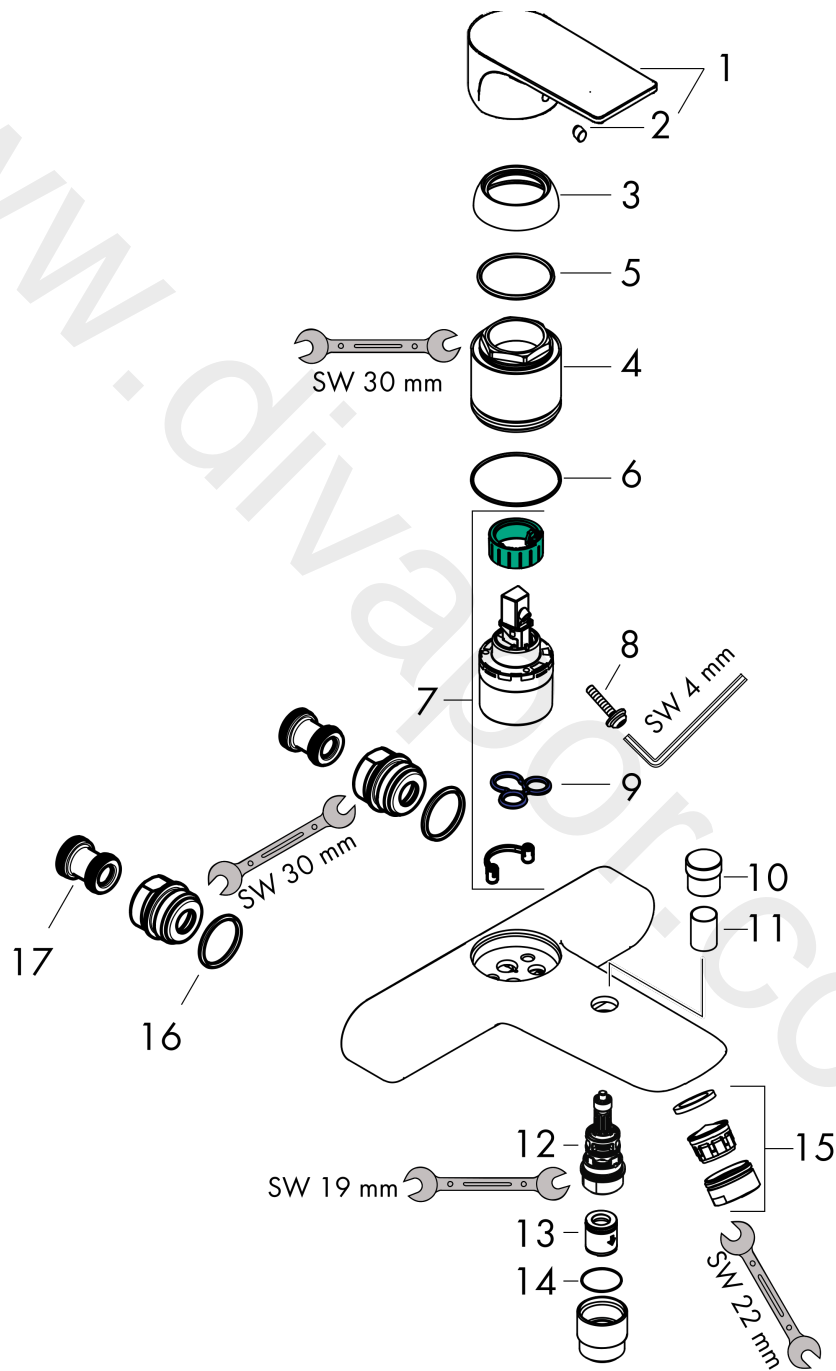
Single lever bath mixer for exposed installation with centre distance 15.3 cm

Finish: **Chrome** Article Number: **72452000**



Exploded Drawing

Year of production: >06/22



Rebris E

Single lever bath mixer for exposed installation with centre distance 15.3 cm

Finish: **Chrome** Article Number: **72452000**



Spare part list

Year of production: >06/22

Pos.	Description	Article Number	Price	PU
1	handle	94655000	£ 51,00	1
2	screw cover	96338000	£ 3,30	1
3	flange	97406000	£ 20,50	1
4	nut	97977000	£ 43,00	1
5	O-Ring 32x2	98193000	£ 3,30	1
6	O-ring 33x1,5	98164000	£ 3,30	1
7	cartridge, assy	92730000	£ 35,00	1
8	locking screw for handle	95140000	£ 6,10	1
9	seal	95008000	£ 9,00	1
10	diverter knob	97981000	£ 20,50	1
11	sleeve	97979000	£ 16,10	1
12	selector	97978000	£ 64,00	1
13	non return valve	93251000	£ 137,00	1
14	O-Ring 14x2,5	98189000	£ 3,30	1
15	aerator M24x1 (30 l/min)	94656000	£ 6,10	1
16	O-ring 23x2	98398000	£ 3,30	1
17	noise reduction	96429000	£ 6,10	1