

**Rebris S**  
**Single lever bath mixer set for concealed installation**  
 Finish: **Matt Black** Article Number: **72448670**



### Description

**product features**

- consists of: single lever bath mixer, basic set
- 2 functions
- maximum flow rate at 3 bar: 30,7 l/min
- flow rate for bath spout at 3 bar: 30,7 l/min
- flow rate of hand shower at 3 bar: 27,4 l/min
- ceramic cartridge
- temperature limitation adjustable
- diverter with automatic resetting
- connection type: basic set
- wall-mounted
- min. operating pressure: 1 bar
- max. operating pressure: 10 bar
- WRAS 2306302
- WRAS 2306302 - Approval letter 2306302

### Article Details

Price excl. VAT 231,67 £

### Design awards



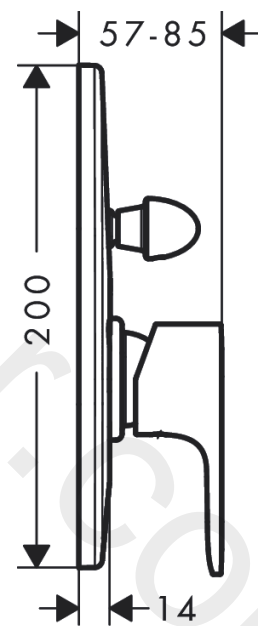
reddot winner 2022



### Product image



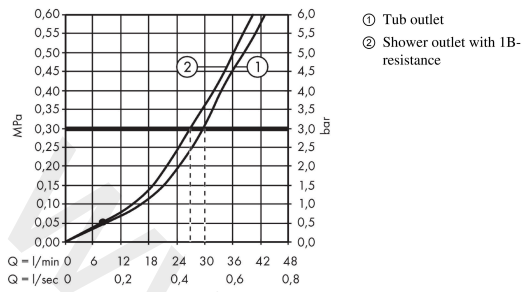
### Scale drawing



**Rebris S**  
**Single lever bath mixer set for concealed installation**  
 Finish: **Matt Black** Article Number: **72448670**



**Flowchart**

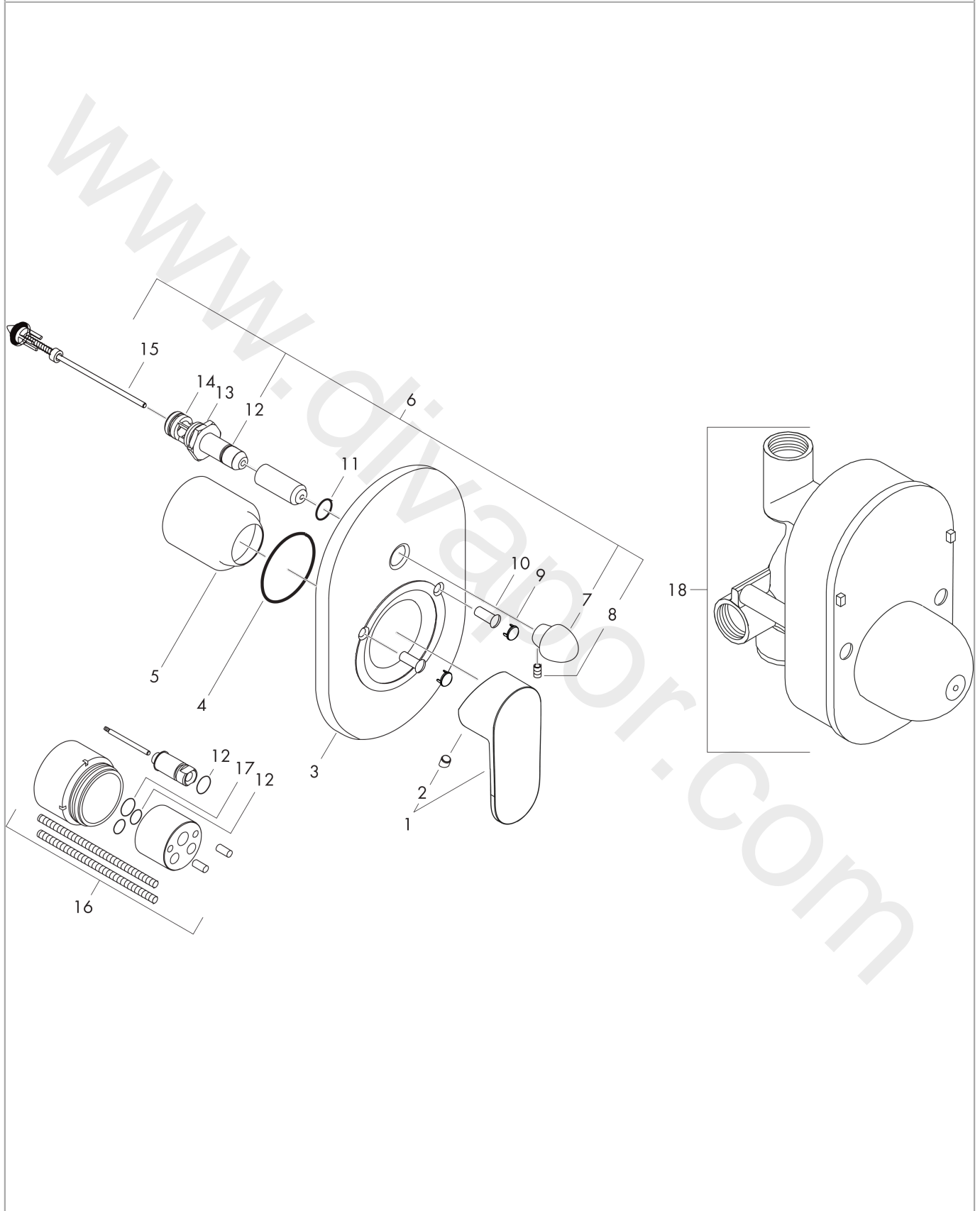


**Rebris S**  
**Single lever bath mixer set for concealed installation**  
 Finish: **Matt Black** Article Number: **72448670**



**Exploded Drawing**

Year of production: >06/22



**Rebris S**  
**Single lever bath mixer set for concealed installation**  
 Finish: **Matt Black** Article Number: **72448670**



## Spare part list

Year of production: >06/22

Pos.	Description	Article Number	Price	PU
1	handle	94654670	£ 76,00	1
2	screw cover	96338610	£ 4,80	1
3	escutcheon bath/shower mixer	95011670	£ 76,00	1
4	O-Ring 48x3	95508000	£ 3,30	1
5	flange	96348670	£ 19,80	1
6	diverter assy with sleeve and handle	95015000	£ 110,00	1
7	diverter knob cpl.	95013670	£ 25,00	1
8	hollow set screw M4x10	97667000	£ 3,30	1
9	cover cap	95433670	£ 9,00	1
10	hollow screw	96065000	£ 6,10	1
11	O-ring 14x3	98130000	£ 3,30	1
12	O-ring 10x1,5	98123000	£ 3,30	1
13	O-ring 16x2,5	98134000	£ 3,30	1
14	O-ring 13x2	98128000	£ 3,30	1
15	selector assy	96937000	£ 20,50	1
16	extension set 28 mm tub mixer	32498000	£ 173,00	1
17	O-ring 12x1,5	98430000	£ 3,30	1
18	concealed item	31741180	£ 156,00	1