

Rebris S
Single lever bath and shower mixer Monotrou with 2 flow rates
 Finish: **Chrome** Article Number: **72436000**



Description

product features

- 2 functions
- projection: 140 mm
- spray type mixer: normal spray
- maximum flow rate at 3 bar: 18,7 l/min
- flow rate for bath spout at 3 bar: 18,7 l/min
- flow rate of hand shower at 3 bar: 13,6 l/min
- ceramic cartridge with Eco handle position for 2 flow rates
- temperature limitation adjustable
- diverter with automatic resetting
- protected against backflow, according to DIN EN 1717
- connection dimension: DN15
- connection type: G 3/8 connections
- installation on bath rim
- min. operating pressure: 1 bar
- max. operating pressure: 10 bar
- no additional maintenance opening required
- WRAS 2212065
- WRAS 2212065 - Approval letter

Article Details

Price excl. VAT 116,67 £

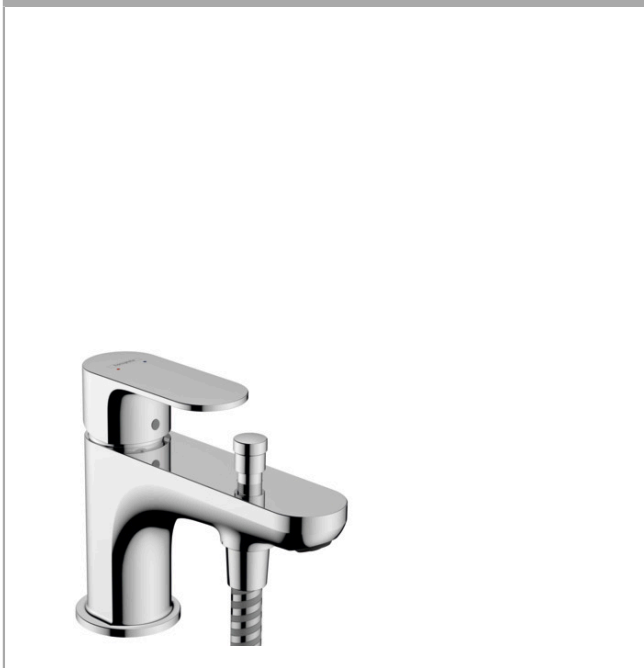
Technology



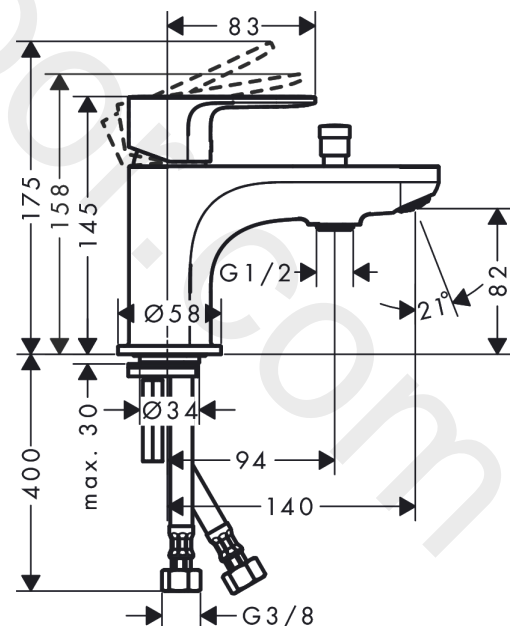
Design awards



Product image



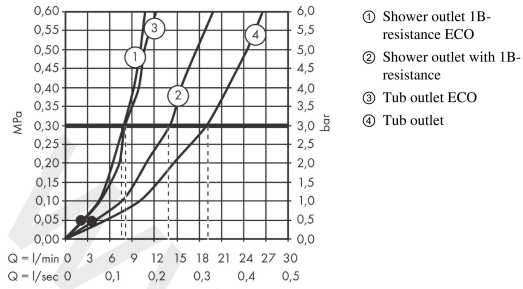
Scale drawing



Rebris S
Single lever bath and shower mixer Monotrou with 2 flow rates
 Finish: **Chrome** Article Number: **72436000**



Flowchart



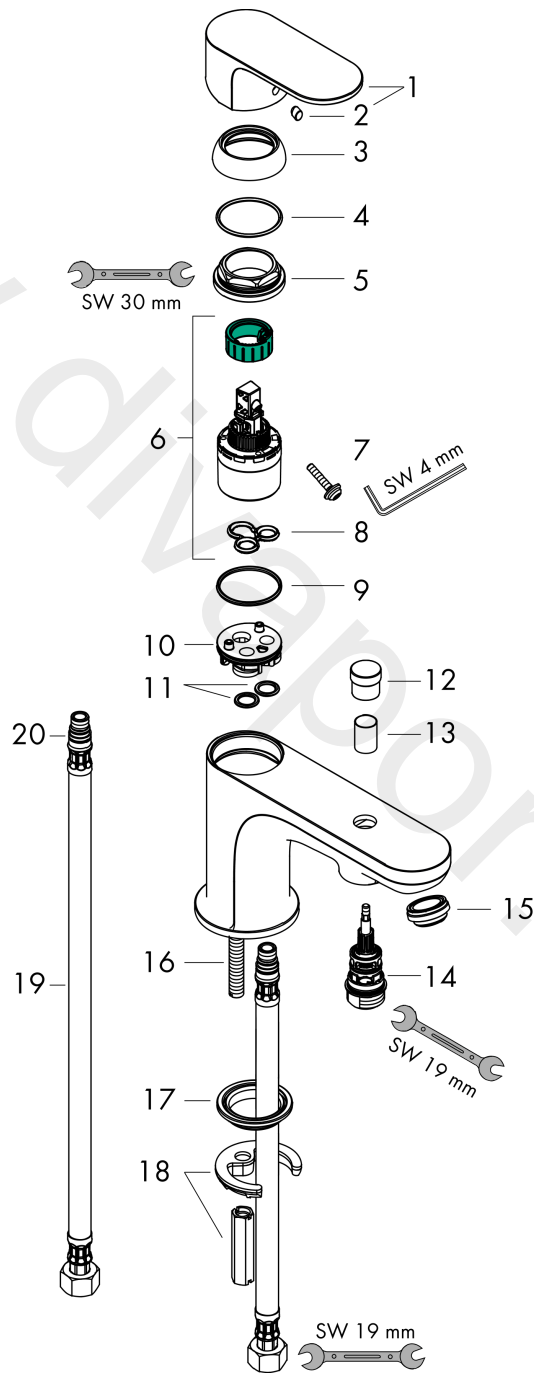
www.divapor.com

Rebris S
Single lever bath and shower mixer Monotrou with 2 flow rates
 Finish: **Chrome** Article Number: **72436000**



Exploded Drawing

Year of production: >06/22



Rebris S
Single lever bath and shower mixer Monotrou with 2 flow rates
 Finish: **Chrome** Article Number: **72436000**



Spare part list

Year of production: >06/22

Pos.	Description	Article Number	Price	PU
1	screw cover	96338000	£ 3,30	1
2	flange	97406000	£ 20,50	1
3	O-ring 33x2	98154000	£ 3,30	1
4	nut	95870000	£ 25,00	1
5	cartridge, assy	95730000	£ 43,00	1
6	locking screw for handle	95140000	£ 6,10	1
7	seal	95008000	£ 9,00	1
8	O-Ring 32x2	98193000	£ 3,30	1
9	adapter for cartridge	97773000	£ 9,00	1
10	O-ring 9x1,8	98118000	£ 3,30	1
11	diverter knob	97981000	£ 20,50	1
12	sleeve	97979000	£ 16,10	1
13	selector	97978000	£ 64,00	1
14	aerator M24x1 (30 l/min)	94656000	£ 6,10	1
15	screw M8 x 68	97736000	£ 6,10	1
16	seal	97608000	£ 6,10	1
17	fixing set	96016000	£ 35,00	1
18	connection hose 450 mm M10x1 G3/8	96507000	£ 43,00	1
19	O-ring 8x1,75	97827000	£ 3,30	1