

## Rebris E Bath spout

Finish: **Matt Black** Article Number: **72431670**



### Description

#### product features

- connection type: G 1/2
- with escutcheon
- projection: 200 mm
- wall-mounted
- maximum flow rate at 3 bar: 22 l/min
- spray type: normal spray
- WRAS 2304035
- WRAS 2304035 - Approval letter 2304035

### Article Details

Price excl. VAT 122,50 £

### Technology



### Design awards



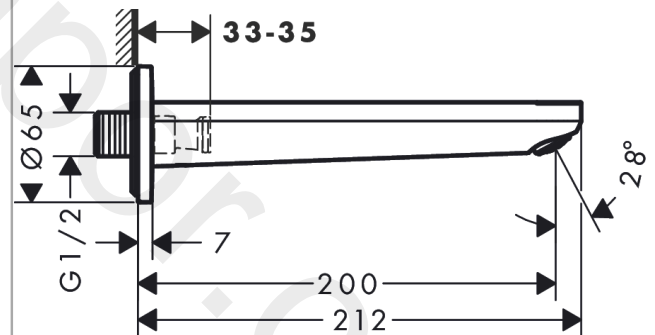
reddot winner 2022



### Product image



### Scale drawing

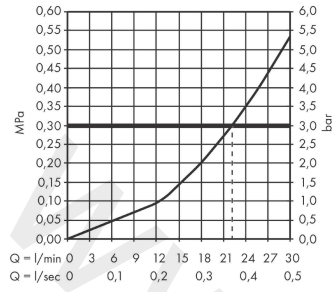


**Rebris E  
Bath spout**

Finish: **Matt Black** Article Number: **72431670**



**Flowchart**



**Rebris E**

**Bath spout**

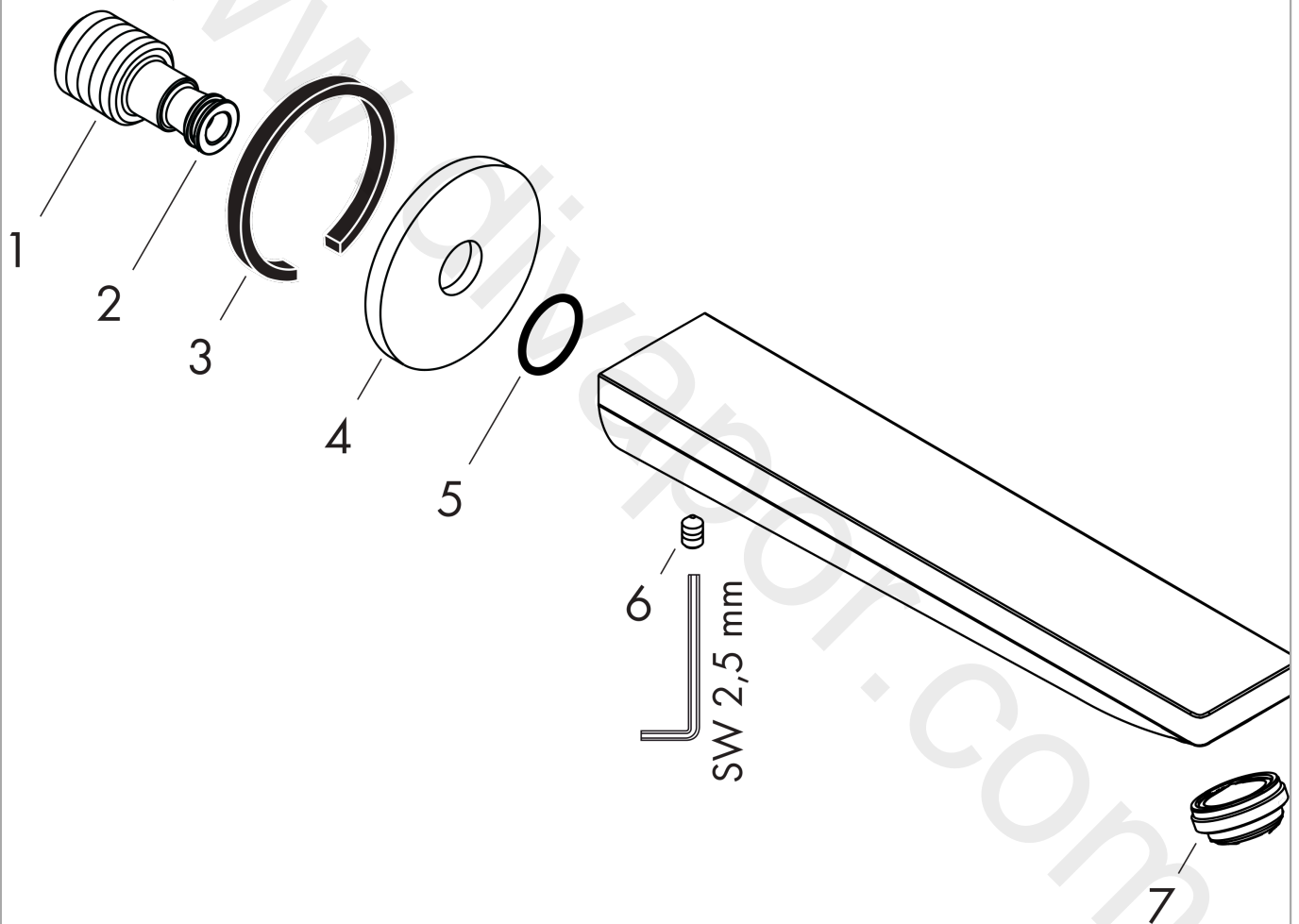
Finish: **Matt Black**

Article Number: **72431670**



**Exploded Drawing**

Year of production: >06/22



**Rebris E  
Bath spout**

Finish: **Matt Black** Article Number: **72431670**



**Spare part list**

Year of production: >06/22

Pos.	Description	Article Number	Price	PU
1	connecting thread G $\frac{3}{4}$	92504000	£ 64,00	1
2	O-ring 13x2	98128000	£ 3,30	1
3	escutcheon Ø 65 mm	92754670	£ 64,00	1
4	seal	97530000	£ 6,10	1
5	O-ring 18x1,5	98231000	£ 3,30	1
6	hollow set screw M5x6	97768000	£ 3,30	1
7	aerator M24x1 (30 l/min)	94656000	£ 6,10	1
a	connecting thread G $\frac{1}{2}$	95393000	£ 43,00	1