

Rebris E Bath spout

Finish: **Chrome** Article Number: **72431000**



Description

product features

- connection type: G 1/2
- with escutcheon
- projection: 200 mm
- wall-mounted
- maximum flow rate at 3 bar: 22 l/min
- spray type: normal spray
- WRAS 2304035
- WRAS 2304035 - Approval letter 2304035

Article Details

Price excl. VAT

87,50 £

Technology



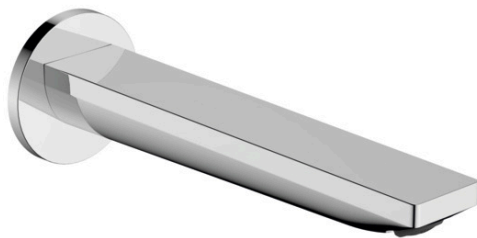
Design awards



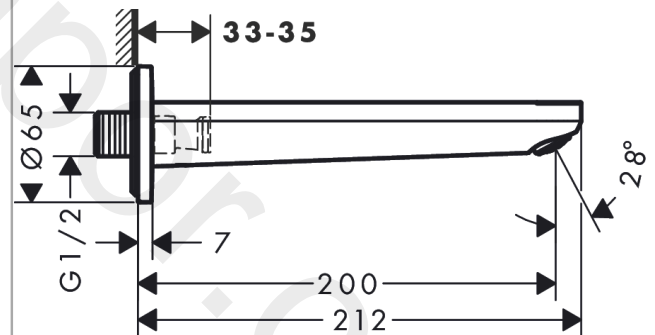
reddot winner 2022



Product image



Scale drawing

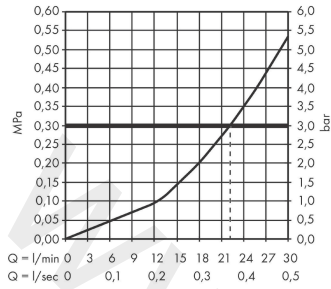


Rebris E
Bath spout

Finish: **Chrome** Article Number: **72431000**



Flowchart



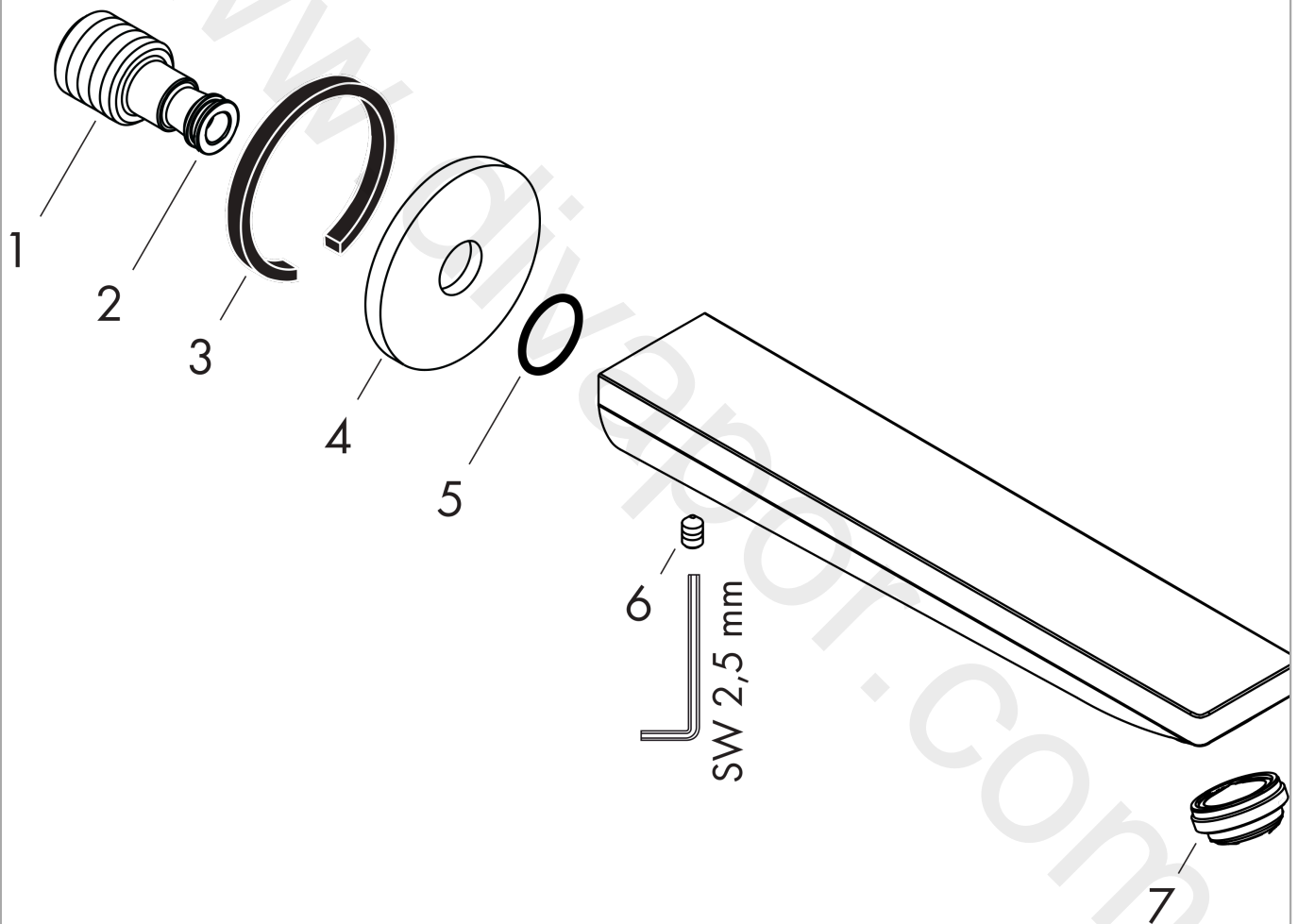
Rebris E
Bath spout

Finish: **Chrome** Article Number: **72431000**



Exploded Drawing

Year of production: >06/22



Rebris E
Bath spout

Finish: **Chrome** Article Number: **72431000**



Spare part list

Year of production: >06/22

| Pos. | Description | Article Number | Price | PU |
|------|-----------------------------------|----------------|---------|----|
| 1 | connecting thread G $\frac{3}{4}$ | 92504000 | £ 64,00 | 1 |
| 2 | O-ring 13x2 | 98128000 | £ 3,30 | 1 |
| 3 | escutcheon Ø 65 mm | 92754000 | £ 43,00 | 1 |
| 4 | seal | 97530000 | £ 6,10 | 1 |
| 5 | O-ring 18x1,5 | 98231000 | £ 3,30 | 1 |
| 6 | hollow set screw M5x6 | 97768000 | £ 3,30 | 1 |
| 7 | aerator M24x1 (30 l/min) | 94656000 | £ 6,10 | 1 |
| a | connecting thread G $\frac{1}{2}$ | 95393000 | £ 43,00 | 1 |