

Rebris S Bath spout

Finish: **Matt Black** Article Number: **72430670**



Description

product features

- connection type: G 1/2
- with escutcheon
- projection: 200 mm
- wall-mounted
- maximum flow rate at 3 bar: 22 l/min
- spray type: normal spray
- WRAS 2304035
- WRAS 2304035 - Approval letter 2304035

Article Details

Price excl. VAT 116,67 £

Technology



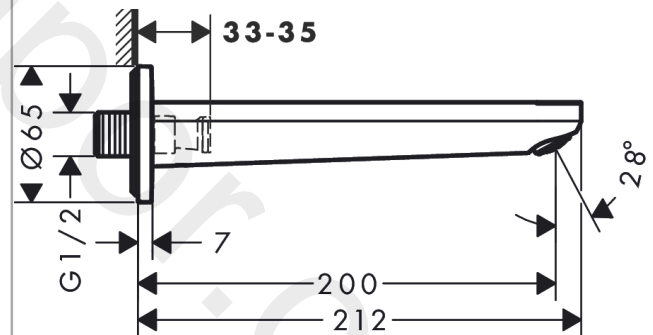
Design awards



Product image



Scale drawing

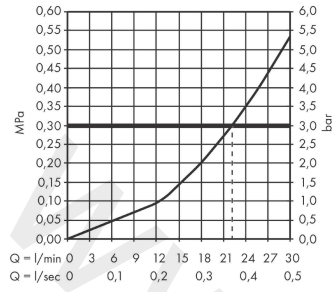


**Rebris S
Bath spout**

Finish: **Matt Black** Article Number: **72430670**



Flowchart



Rebris S

Bath spout

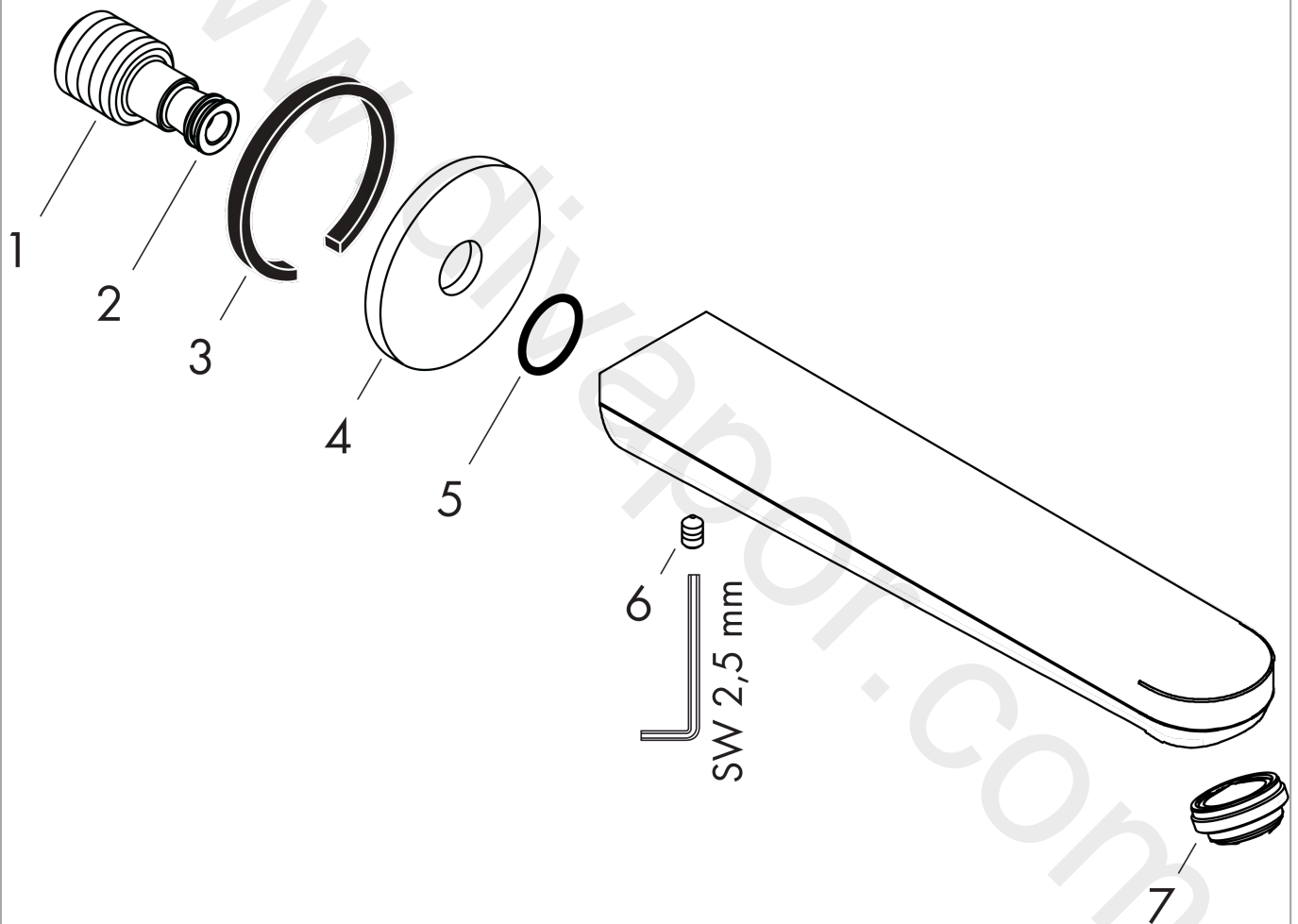
Finish: **Matt Black**

Article Number: **72430670**



Exploded Drawing

Year of production: >06/22



Rebris S**Bath spout**Finish: **Matt Black** Article Number: **72430670****Spare part list**

Year of production: >06/22

| Pos. | Description | Article Number | Price | PU |
|------|--------------------------|----------------|---------|----|
| 1 | connecting thread G½ | 95393000 | £ 43,00 | 1 |
| 2 | O-ring 13x2 | 98128000 | £ 3,30 | 1 |
| 3 | seal | 97530000 | £ 6,10 | 1 |
| 4 | escutcheon Ø 65 mm | 92754670 | £ 64,00 | 1 |
| 5 | O-ring 18x1,5 | 98231000 | £ 3,30 | 1 |
| 6 | hollow set screw M5x6 | 97768000 | £ 3,30 | 1 |
| 7 | aerator M24x1 (30 l/min) | 94656000 | £ 6,10 | 1 |
| a | connecting thread G¾ | 92504000 | £ 64,00 | 1 |