

Talis S
Single lever bath mixer for exposed installation 2 ticks
 Finish: **Chrome** Article Number: **72408009**



Description

product features

- 2 functions
- projection: 166 mm
- centre distance: 150 ± 12 mm
- spray type mixer: normal spray
- maximum flow rate at 3 bar: 19,6 l/min
- flow rate for bath spout at 3 bar: 19,6 l/min
- flow rate of hand shower at 3 bar: 5,2 l/min
- ceramic cartridge
- temperature limitation adjustable
- diverter with automatic resetting
- protected against backflow, according to DIN EN 1717
- with silencer
- suitable for continuous flow water heaters
- connection dimension: DN15
- connection type: s-shaped connections
- wall-mounted

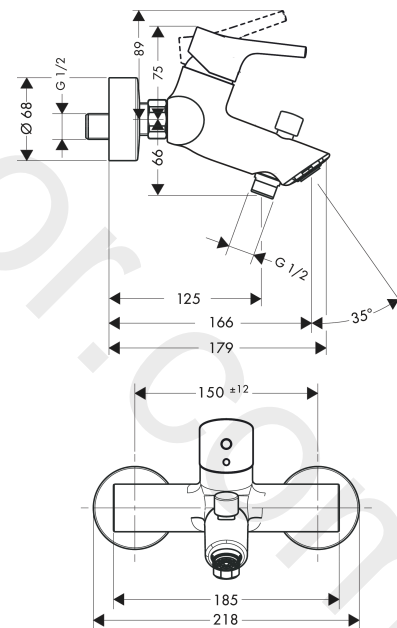
Technology



Product image



Scale drawing



Talis S
Single lever bath mixer for exposed installation 2 ticks
Finish: **Chrome** Article Number: **72408009**



Flowchart

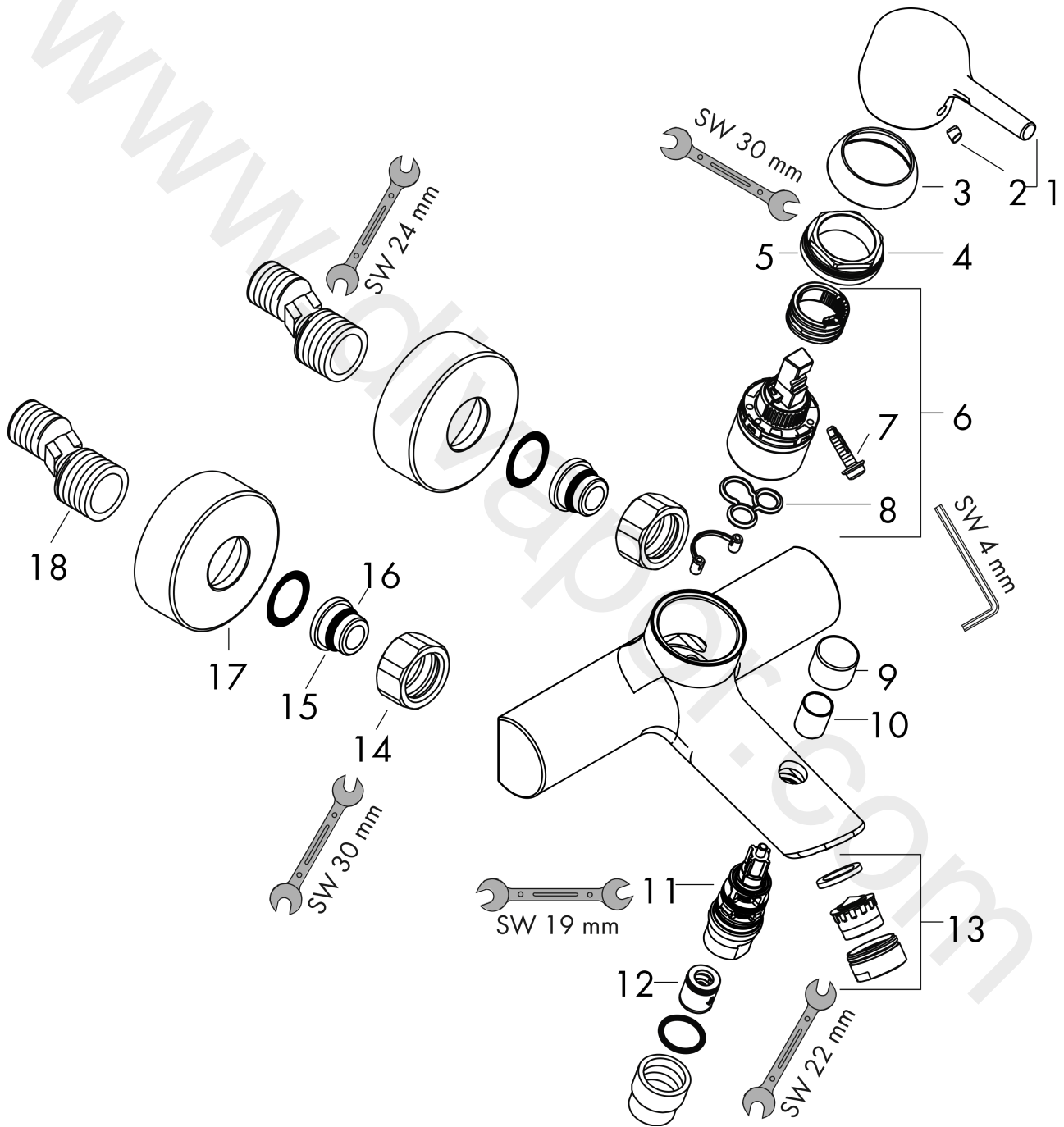
- ① Hand shower
- ② Bath spout

Talis S
Single lever bath mixer for exposed installation 2 ticks
 Finish: **Chrome** Article Number: **72408009**



Exploded Drawing

Year of production: >04/20



Talis S
Single lever bath mixer for exposed installation 2 ticks
 Finish: **Chrome** Article Number: **72408009**



Spare part list

Year of production: >04/20

Pos.	Description	Article Number	Price	PU
1	handle	92644000	£ 35,00	1
2	screw cover	96338000	£ 3,30	1
3	flange	97406000	£ 20,50	1
4	nut	97209000	£ 16,10	1
5	O-Ring 32x2	98193000	£ 3,30	1
6	cartridge, assy	92730000	£ 35,00	1
7	locking screw for handle	95140000	£ 6,10	1
8	seal	95008000	£ 9,00	1
9	diverter knob	97981000	£ 20,50	1
10	sleeve	97979000	£ 16,10	1
11	selector	97978019	-	1
12	non return valve	92839000	£ 16,10	1
13	aerator M24x1 (30 l/min)	96512000	£ 16,10	1
14	set of nuts	96157000	£ 35,00	1
15	connecting thread	97220000	£ 16,10	1
16	O-ring 15x2	98163000	£ 3,30	1
17	escutcheon Ø 68 mm	96467000	£ 20,50	1
18	set of S-unions	94140007	-	1