

Talis Select S
Basin mixer 100 with pop-up waste set
 Finish: **Chrome** Article Number: **72042000**



Description

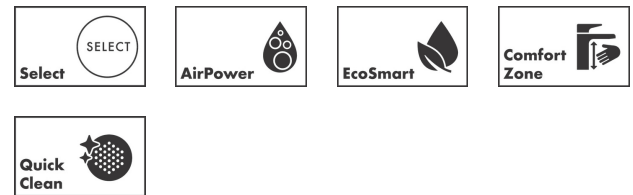
product features

- consists of: Basin mixer, waste set
- ComfortZone 100
- projection: 93 mm
- spout height: 98 mm
- handle variant: pin handle
- spray type: normal spray
- maximum flow rate at 3 bar: 5 l/min
- Select cartridge with temperature control
- temperature limitation adjustable
- suitable for continuous flow water heaters
- pop-up waste set G 1¼
- material waste set: metal
- connection type: G ¾ connections
- connection dimension: DN15
- EU taxonomy: max. 6 l/min - Substantial Contribution (SC) possible
- WRAS 2205048
- WRAS 2205048 - Approval letter

Article Details

Price excl. VAT 270,83 £

Technology



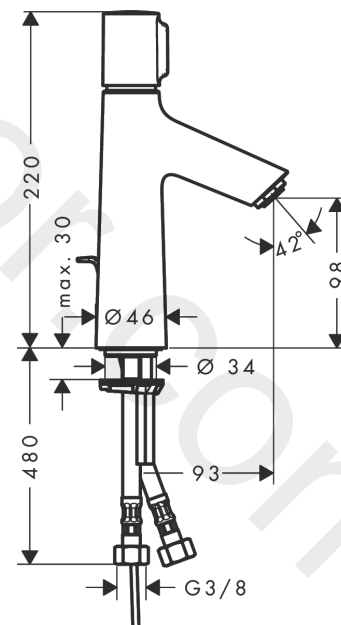
Certificates / Sustainability



Product image



Scale drawing



Talis Select S
Basin mixer 100 with pop-up waste set
 Finish: **Chrome** Article Number: **72042000**



Flowchart



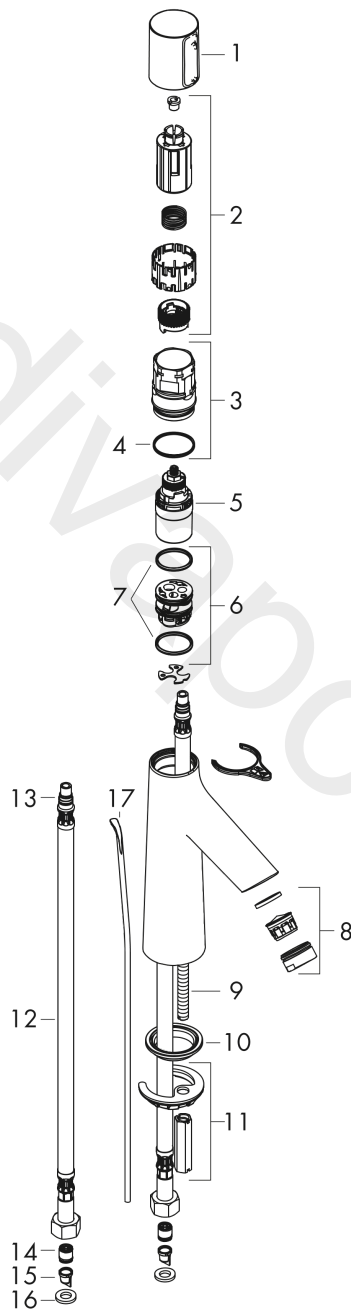
www.divapor.com

Talis Select S
Basin mixer 100 with pop-up waste set
 Finish: **Chrome** Article Number: **72042000**



Exploded Drawing

Year of production: >03/18



Talis Select S**Basin mixer 100 with pop-up waste set**Finish: **Chrome** Article Number: **72042000****Spare part list**

Year of production: >03/18

Pos.	Description	Article Number	Price	PU
1	handle	92525000	£ 79,00	1
2	adapter for handle	92526000	£ 25,00	1
3	nut	92528000	£ 64,00	1
4	O-ring 27x1,5	92527000	£ 13,30	1
5	cartridge, assy	92529000	£ 110,00	1
6	adapter for cartridge	98866000	£ 35,00	1
7	O-ring 23x2	98398000	£ 3,30	1
8	aerator M24x1 (5 l/min)	13185000	£ 22,30	1
9	screw M8 x 68	97736000	£ 6,10	1
10	seal Ø 42	98722000	£ 6,10	1
11	fixing set	96016000	£ 35,00	1
12	connection hose 600 mm M8x0,75 G3/8	95664000	£ 35,00	1
13	O-ring 7x1,5	98422000	£ 3,30	1
14	sealing set	92533000	£ 3,30	1
15	filter	92532000	£ 9,00	1
16	non return valve DW 10	96456000	£ 9,00	1
17	pull rod	96657000	£ 13,30	1
a	pop up waste	94139000	£ 96,00	1