

## Talis Select S

### Basin mixer 80 with pop-up waste set

Finish: **Chrome** Article Number: **72040000**



#### Description

##### product features

- consists of: Basin mixer, waste set
- ComfortZone 80
- projection: 97 mm
- spout height: 68 mm
- handle variant: pin handle
- spray type: normal spray
- maximum flow rate at 3 bar: 5 l/min
- Select cartridge with temperature control
- temperature limitation adjustable
- suitable for continuous flow water heaters
- pop-up waste set G 1¼
- material waste set: metal
- connection type: G ¾ connections
- connection dimension: DN15
- EU taxonomy: max. 6 l/min - Substantial Contribution (SC) possible
- WRAS 2205048
- WRAS 2205048 - Approval letter

#### Article Details

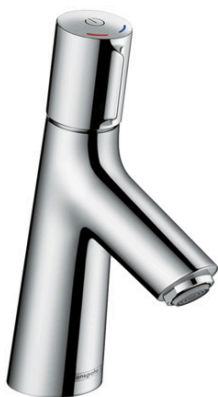
Price excl. VAT

220,83 £

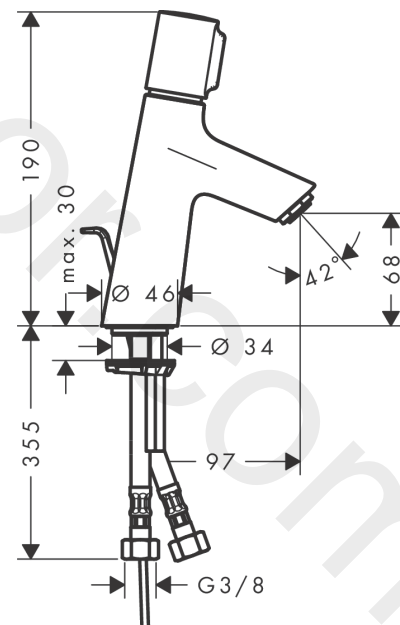
#### Technology



#### Product image



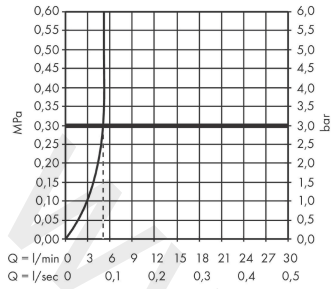
#### Scale drawing



**Talis Select S**  
**Basin mixer 80 with pop-up waste set**  
 Finish: **Chrome** Article Number: **72040000**



**Flowchart**



www.divapor.com



**Talis Select S****Basin mixer 80 with pop-up waste set**Finish: **Chrome** Article Number: **72040000****Spare part list**

Year of production: &gt;03/18

Pos.	Description	Article Number	Price	PU
1	handle	92525000	£ 79,00	1
2	adapter for handle	92526000	£ 25,00	1
3	nut	92528000	£ 64,00	1
4	O-ring 27x1,5	92527000	£ 13,30	1
5	cartridge, assy	92529000	£ 110,00	1
6	adapter for cartridge	98866000	£ 35,00	1
7	O-ring 23x2	98398000	£ 3,30	1
8	aerator M24x1 (5 l/min)	13185000	£ 22,30	1
9	screw M8 x 68	97736000	£ 6,10	1
10	seal Ø 42	98722000	£ 6,10	1
11	fixing set	96016000	£ 35,00	1
12	connection hose 450 mm M8x0,75 G3/8	95141000	£ 35,00	1
13	O-ring 7x1,5	98422000	£ 3,30	1
14	non return valve DW 10	96456000	£ 9,00	1
15	filter	92532000	£ 9,00	1
16	sealing set	92533000	£ 3,30	1
17	pull rod	96657000	£ 13,30	1
a	pop up waste	94139000	£ 96,00	1