

Talis S
Single lever basin mixer 80 with pop-up waste set 3 ticks
 Finish: **Chrome** Article Number: **72036009**



Description

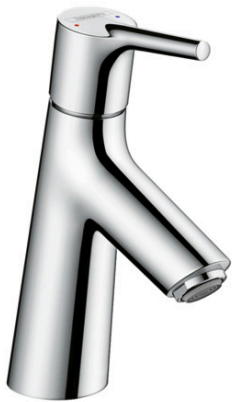
product features

- consists of: single lever basin mixer, waste set
- ComfortZone 80
- projection: 97 mm
- spout height: 68 mm
- handle variant: pin handle
- maximum flow rate at 3 bar: 1,9 l/min
- ceramic cartridge
- temperature limitation adjustable
- pop-up waste set G 1¼
- material waste set: metal
- connection type: G ½ connections
- connection dimension: DN15

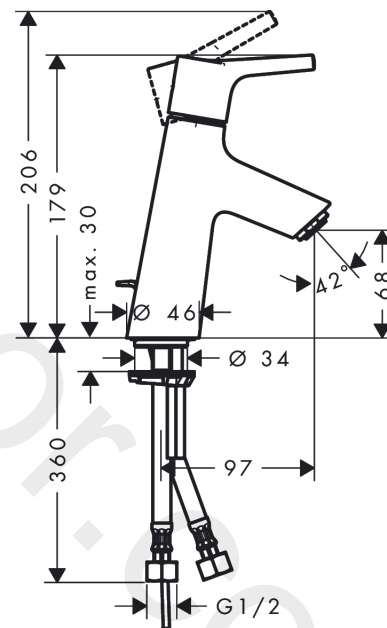
Technology



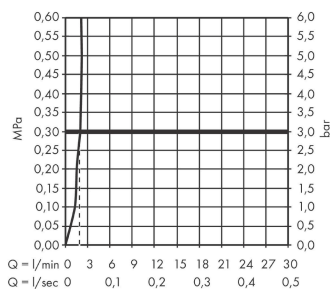
Product image



Scale drawing



Flowchart

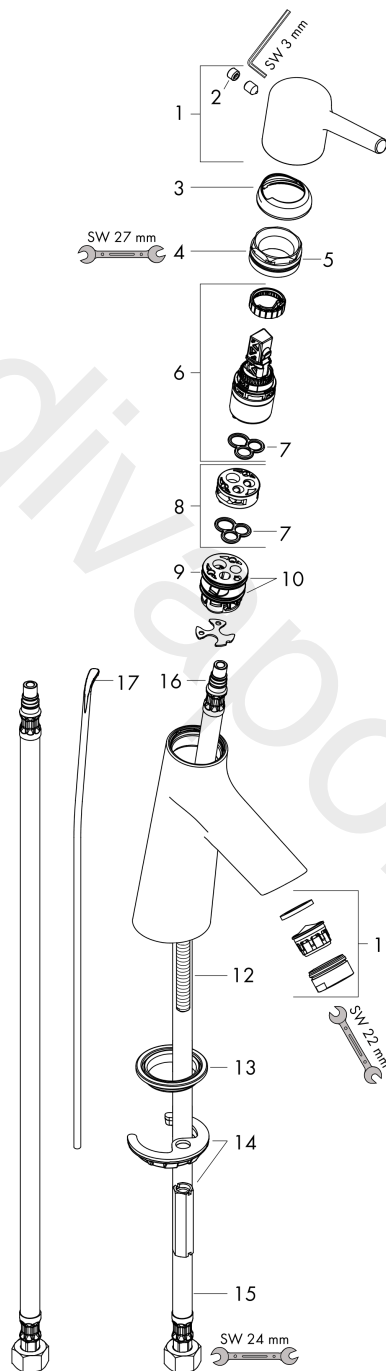


Talis S
Single lever basin mixer 80 with pop-up waste set 3 ticks
 Finish: **Chrome** Article Number: **72036009**



Exploded Drawing

Year of production: >04/20



Talis S
Single lever basin mixer 80 with pop-up waste set 3 ticks
 Finish: **Chrome** Article Number: **72036009**



Spare part list

Year of production: >04/20

Pos.	Description	Article Number	Price	PU
1	handle	92626000	£ 35,00	1
2	screw cover	95704000	£ 3,30	1
3	flange	92625000	£ 35,00	1
4	nut	92627000	£ 20,50	1
5	O-ring 27x1,5	92527000	£ 13,30	1
6	cartridge, assy	95973000	£ 79,00	1
7	seal	98865000	£ 35,00	1
8	adapter for cartridge	92628000	£ 20,50	1
9	adapter for cartridge	98866000	£ 35,00	1
10	O-ring 23x2	98398000	£ 3,30	1
11	aerator M24x1 (1,9 l/min)	92300000	£ 35,00	1
12	screw M8 x 68	97736000	£ 6,10	1
13	seal Ø 42	98722000	£ 6,10	1
14	fixing set	96016000	£ 35,00	1
15	connection hose 450 mm M8x0,75 G½	97443000	£ 20,50	1
16	O-ring 7x1,5	98422000	£ 3,30	1
17	pull rod	96657000	£ 13,30	1
a	pop up waste	94139000	£ 96,00	1