

**Talis S**  
**Single lever basin mixer 100 CoolStart with pop-up waste set**  
 Finish: **Chrome** Article Number: **72022000**



### Description

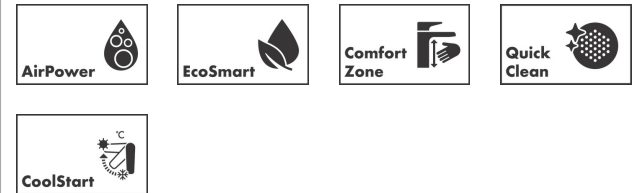
#### product features

- consists of: single lever basin mixer, waste set
- ComfortZone 100
- projection: 93 mm
- spout height: 98 mm
- handle variant: pin handle
- spray type: normal spray
- maximum flow rate at 3 bar: 5 l/min
- ceramic cartridge
- temperature limitation adjustable
- suitable for continuous flow water heaters
- pop-up waste set G 1¼
- material waste set: metal
- connection type: G ¾ connections
- connection dimension: DN15
- cold water in basic handle position
- EU taxonomy: max. 6 l/min - Substantial Contribution (SC) possible
- WRAS 2110027
- WRAS 2110027 - Approval letter

### Article Details

Price excl. VAT 192,50 £

### Technology



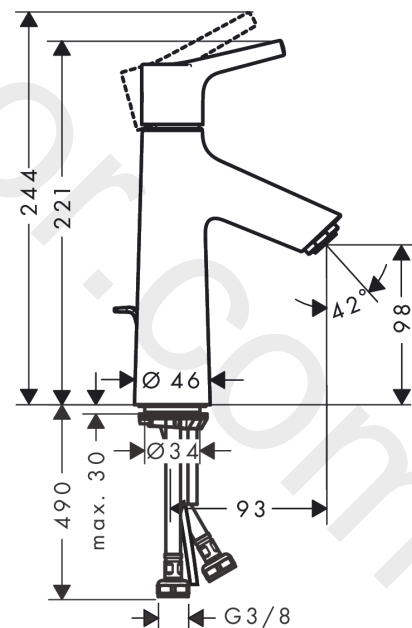
### Certificates / Sustainability



### Product image



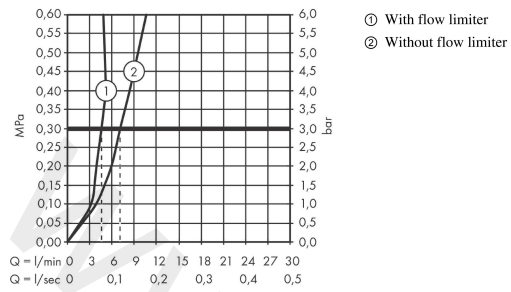
### Scale drawing



**Talis S**  
**Single lever basin mixer 100 CoolStart with pop-up waste set**  
 Finish: **Chrome** Article Number: **72022000**



**Flowchart**

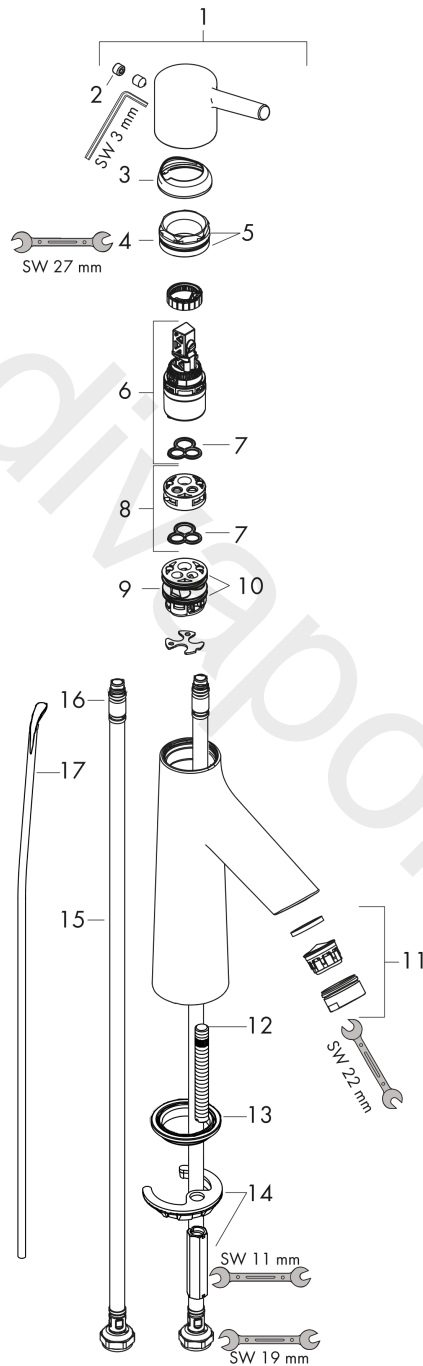


**Talis S**  
**Single lever basin mixer 100 CoolStart with pop-up waste set**  
 Finish: **Chrome** Article Number: **72022000**



**Exploded Drawing**

Year of production: >04/17



**Talis S**  
**Single lever basin mixer 100 CoolStart with pop-up waste set**  
 Finish: **Chrome** Article Number: **72022000**



## Spare part list

Year of production: >04/17

Pos.	Description	Article Number	Price	PU
1	-	92633000	£ 51,00	1
2	screw cover	95704000	£ 3,30	1
3	flange	92625000	£ 35,00	1
4	nut	92627000	£ 20,50	1
5	O-ring 27x1,5	92527000	£ 13,30	1
6	cartridge, assy	97685000	£ 64,00	1
7	seal	98865000	£ 35,00	1
8	adapter for cartridge	92628000	£ 20,50	1
9	adapter for cartridge	95975000	£ 9,00	1
10	O-ring 23x2	98398000	£ 3,30	1
11	aerator M24x1 (5 l/min)	13185000	£ 22,30	1
12	screw M8 x 68	97736000	£ 6,10	1
13	seal Ø 42	98722000	£ 6,10	1
14	fixing set	96016000	£ 35,00	1
15	connection hose 600 mm M8x0,75 G3/8	96556000	£ 25,00	1
16	O-ring 6,6x1,6	93019000	£ 3,30	1
17	pull rod	96657000	£ 13,30	1
a	pop up waste	94139000	£ 96,00	1