

## Talis S

Pillar tap 80 with pin handle for cold water or pre-adjusted water without waste set

Finish: **Chrome** Article Number: **72017000**



### Description

#### product features

- ComfortZone 80
- projection: 97 mm
- spout height: 68 mm
- handle variant: pin handle
- spray type: normal spray
- maximum flow rate at 3 bar: 5 l/min
- ceramic cartridge
- for cold water connection
- connection type: G 3/8 connection hose
- connection dimension: DN15
- EU taxonomy: max. 6 l/min - Substantial Contribution (SC) possible

### Article Details

Price excl. VAT

149,17 £

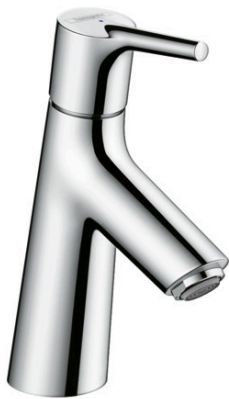
### Technology



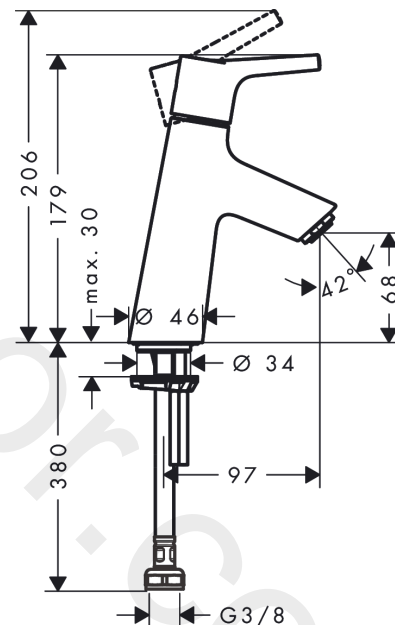
### Certificates / Sustainability



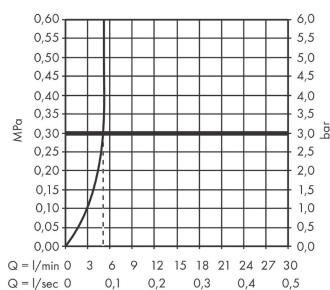
### Product image



### Scale drawing



### Flowchart



**Talis S**

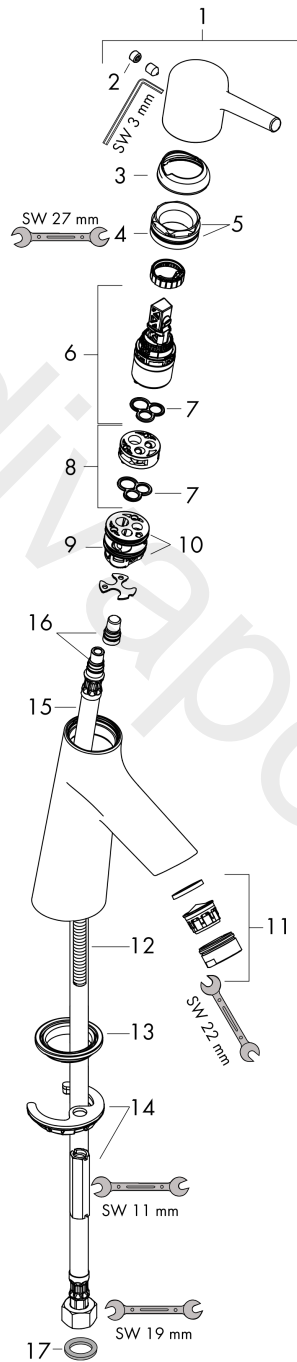
**Pillar tap 80 with pin handle for cold water or pre-adjusted water without waste set**

Finish: **Chrome** Article Number: **72017000**



**Exploded Drawing**

Year of production: >10/15



**Talis S**

**Pillar tap 80 with pin handle for cold water or pre-adjusted water without waste set**

Finish: **Chrome** Article Number: **72017000**



**Spare part list**

Year of production: >10/15

Pos.	Description	Article Number	Price	PU
1	handle	92665000	£ 13,30	1
2	screw cover	95704000	£ 3,30	1
3	flange	92625000	£ 35,00	1
4	nut	92627000	£ 20,50	1
5	O-ring 27x1,5	92527000	£ 13,30	1
6	cartridge, assy	97685000	£ 64,00	1
7	seal	98865000	£ 35,00	1
8	adapter for cartridge	92628000	£ 20,50	1
9	adapter for cartridge	98866000	£ 35,00	1
10	O-ring 23x2	98398000	£ 3,30	1
11	aerator M24x1 (5 l/min)	13185000	£ 22,30	1
12	screw M8 x 68	97736000	£ 6,10	1
13	seal	97608000	£ 6,10	1
14	fixing set	96016000	£ 35,00	1
15	connection hose 450 mm M8x0,75 G3/8	97206000	£ 35,00	1
16	O-ring 7x1,5	98422000	£ 3,30	1
17	sealing set	95581000	£ 6,10	1