

Talis S
Single lever basin mixer 80 LowFlow with pop-up waste set
 Finish: **Chrome** Article Number: **72015000**



Description

product features

- consists of: single lever basin mixer, waste set
- ComfortZone 80
- projection: 97 mm
- spout height: 68 mm
- handle variant: pin handle
- spray type: normal spray
- maximum flow rate at 3 bar: 2,7 l/min
- ceramic cartridge
- temperature limitation adjustable
- suitable for continuous flow water heaters
- pop-up waste set G 1¼
- material waste set: metal
- connection type: G ¾ connections
- connection dimension: DN15
- WRAS 2110027
- WRAS 2110027 - Approval letter

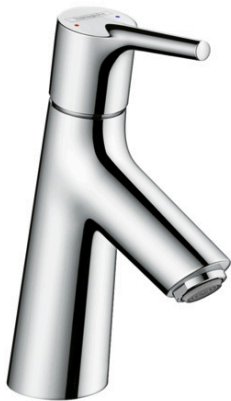
Article Details

Price excl. VAT 162,50 £

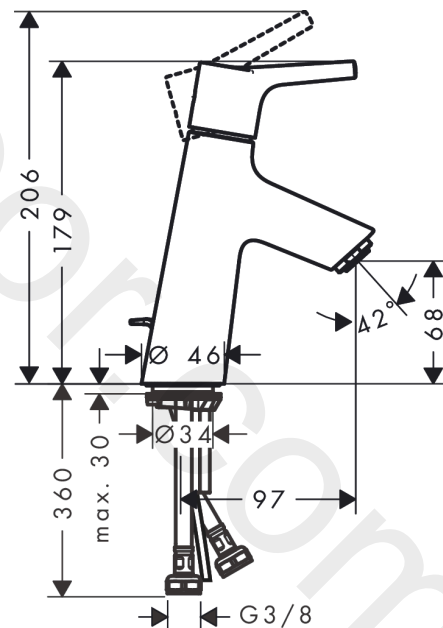
Technology



Product image



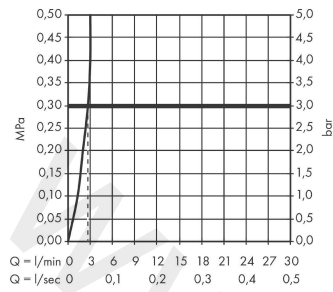
Scale drawing



Talis S
Single lever basin mixer 80 LowFlow with pop-up waste set
 Finish: **Chrome** Article Number: **72015000**



Flowchart



www.divapor.com

Talis S
Single lever basin mixer 80 LowFlow with pop-up waste set
 Finish: **Chrome** Article Number: **72015000**



Exploded Drawing

Year of production: >04/17

