

Novus

Single lever basin mixer for exposed installation with extra long handle 11,8 cm

Finish: **Chrome** Article Number: **71923000**



Description

product features

- projection: 192 mm
- larger print for greater clarity
- with extra long barrier-free handle
- centre distance: 150 ± 12 mm
- spray type: normal spray
- maximum flow rate at 3 bar: 5 l/min
- ceramic cartridge
- temperature limitation adjustable
- with noise reduction
- suitable for continuous flow water heaters
- connection type: s-shaped connections
- connection dimension: DN15

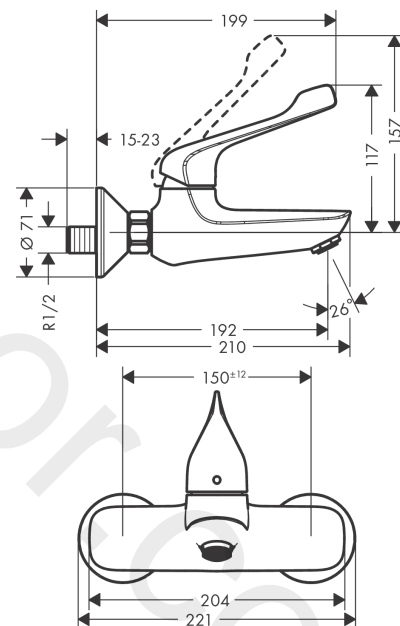
Technology



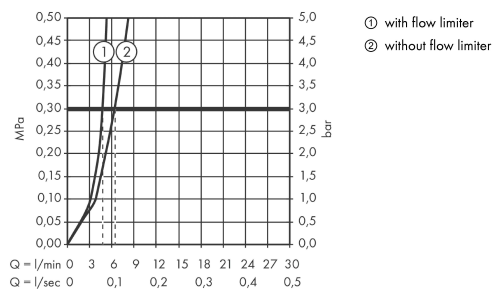
Product image



Scale drawing



Flowchart



Novus

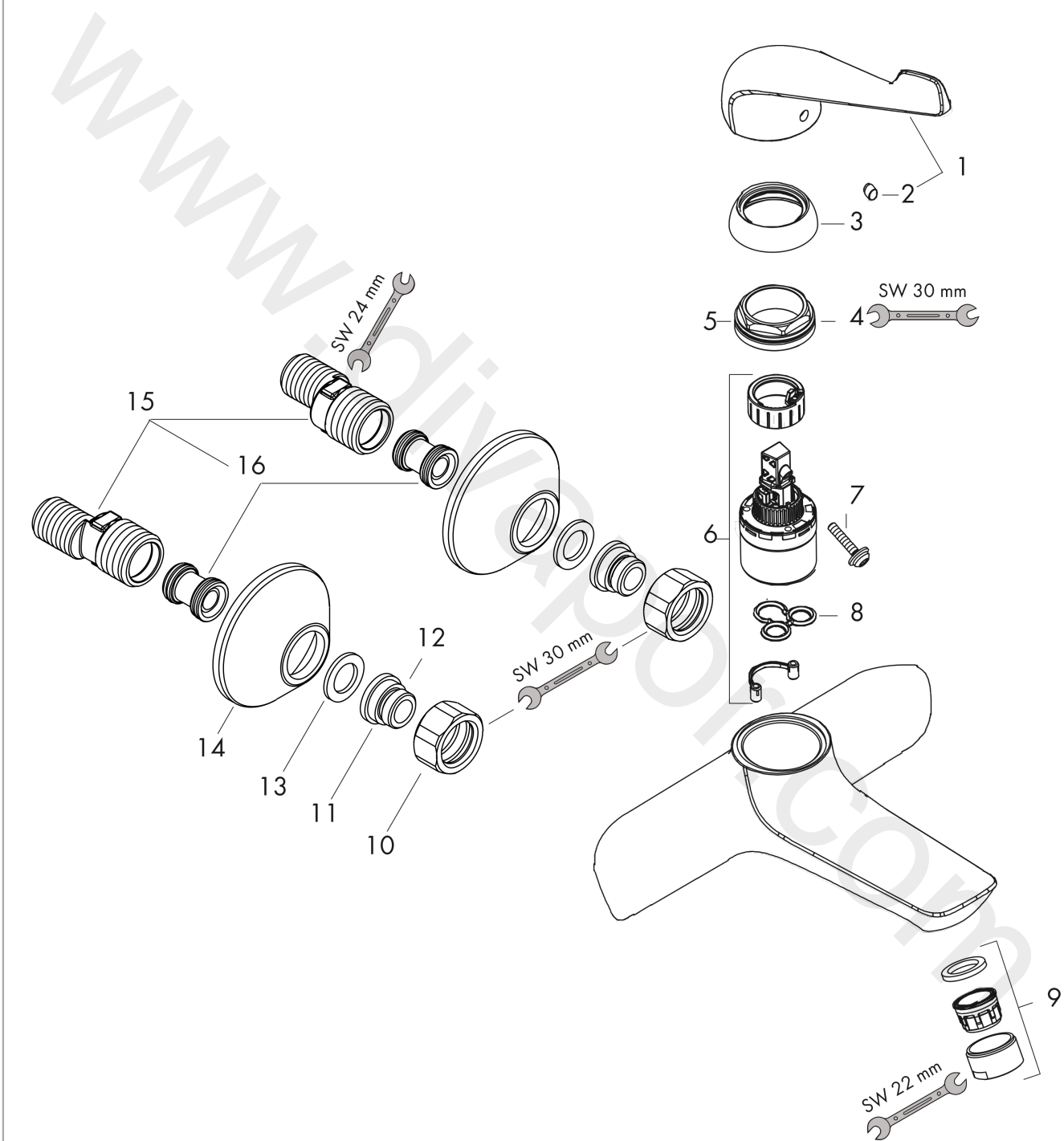
Single lever basin mixer for exposed installation with extra long handle 11,8 cm

Finish: **Chrome** Article Number: **71923000**



Exploded Drawing

Year of production: >10/17



Novus

Single lever basin mixer for exposed installation with extra long handle 11,8 cm

Finish: **Chrome** Article Number: **71923000**



Spare part list

Year of production: >10/17

Pos.	Description	Article Number	Price	PU
1	handle	93193000	£ 51,00	1
2	screw cover	96338000	£ 3,30	1
3	flange	97406000	£ 20,50	1
4	nut	97209000	£ 16,10	1
5	O-Ring 32x2	98193000	£ 3,30	1
6	cartridge, assy	92730000	£ 35,00	1
7	locking screw for handle	95140000	£ 6,10	1
8	seal	95008000	£ 9,00	1
9	aerator M24x1 (5 l/min)	13185000	£ 22,30	1
10	set of nuts	96157000	£ 35,00	1
11	connecting thread	97220000	£ 16,10	1
12	O-ring 15x2	98163000	£ 3,30	1
13	filter packing	96922000	£ 9,00	1
14	escutcheon Ø 70 mm	94135000	£ 13,30	1
15	set of S-unions (±12 mm)	94140000	£ 51,00	1
16	noise reduction	96429000	£ 6,10	1