

Logis M31

Single lever kitchen mixer 120, LowPressure/vented hot water cylinders, 1jet

Finish: **Chrome** Article Number: **71831000**



Description

product features

- for vented hot water cylinders (no pressure)
- ComfortZone 120
- swivel range 360°
- normal spray
- connection dimension: DN15
- maximum flow rate at 3 bar: 5 l/min
- ceramic cartridge
- connection type: G 3/8 connections
- temperature limitation adjustable
- not suitable for continuous flow water heaters
- EU taxonomy: max. 6 l/min - Substantial Contribution (SC) possible

Article Details

Price excl. VAT

154,17 £

Technology



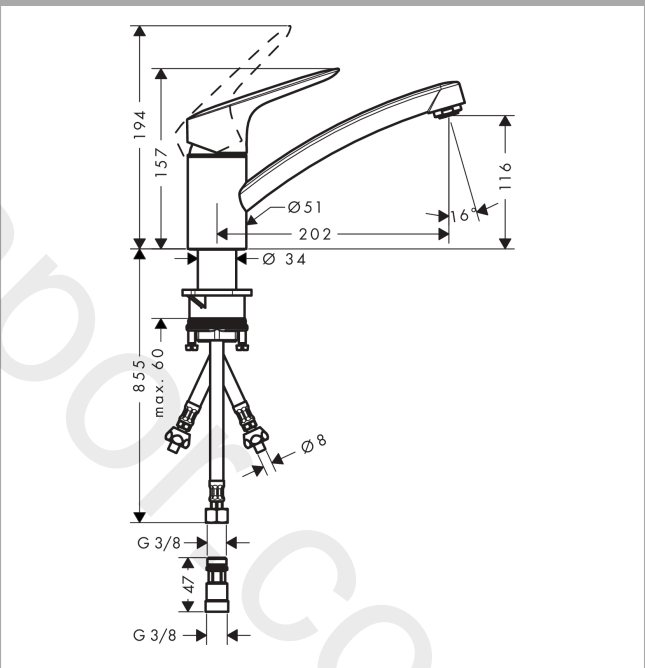
Certificates / Sustainability



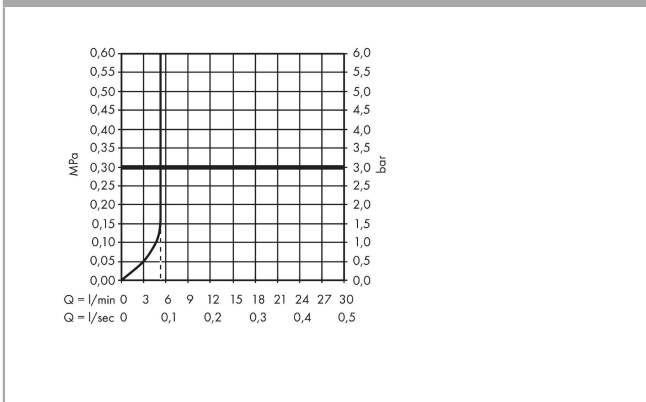
Product image



Scale drawing



Flowchart



Logis M31

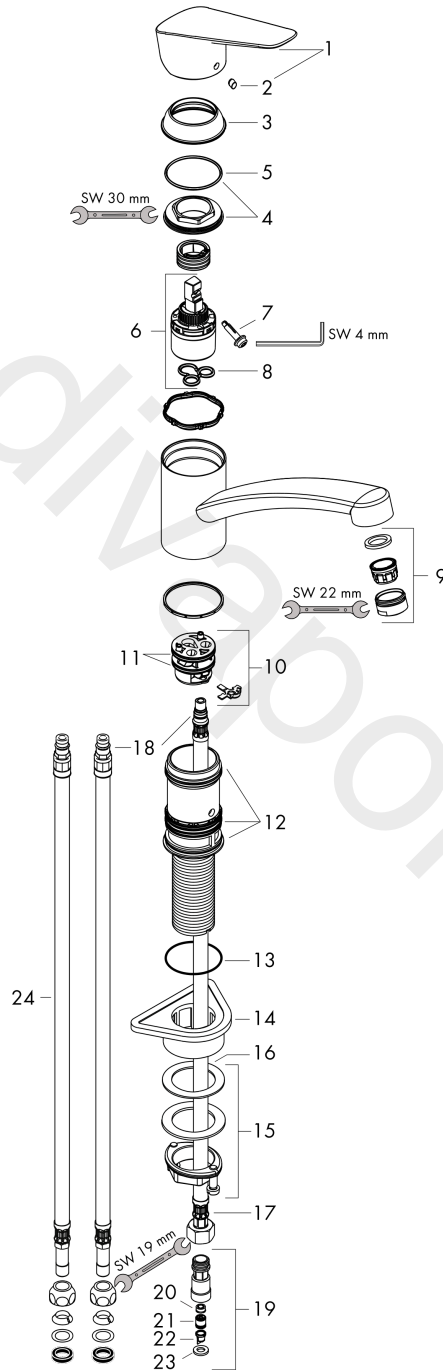
Single lever kitchen mixer 120, LowPressure/vented hot water cylinders, 1jet

Finish: **Chrome** Article Number: **71831000**



Exploded Drawing

Year of production: >12/15



Logis M31**Single lever kitchen mixer 120, LowPressure/vented hot water cylinders, 1jet**Finish: **Chrome** Article Number: **71831000****Spare part list**

Year of production: >12/15

Pos.	Description	Article Number	Price	PU
1	handle	92465000	£ 64,00	1
2	screw cover	96338000	£ 3,30	1
3	flange	97995000	£ 20,50	1
4	nut	97996000	£ 35,00	1
5	O-ring 41x2	98212000	£ 3,30	1
6	cartridge, assy	92730000	£ 35,00	1
7	locking screw for handle	95140000	£ 6,10	1
8	seal	95008000	£ 9,00	1
9	spray former	94033000	£ 9,00	1
10	adapter for cartridge	95911000	£ 20,50	1
11	O-Ring 30x2	98186000	£ 3,30	1
12	sealing set	98702000	£ 9,00	1
13	O-Ring 36x2,5	98190000	£ 3,30	1
14	support	97523000	£ 6,10	1
15	fixing set (Ø 34)	95049000	£ 16,10	1
16	lever collar	97548000	£ 3,30	1
17	connection hose 900 mm M8x0,75 G3/8	96316000	£ 43,00	1
18	O-ring 7x1,5	98422000	£ 3,30	1
19	back flow preventor cartridge	95051000	£ 64,00	1
20	flow limiter / non return valve	95363000	£ 35,00	1
21	non return valve DW 10	96456000	£ 9,00	1
22	filter	92532000	£ 9,00	1
23	seal	97761000	£ 6,10	1
24	connection hose 900 mm M8x0,75 8 mm	95693000	£ 35,00	1