

Focus M42

Single lever kitchen mixer 100, CoolStart, EcoSelection, 1jet

Finish: **Chrome** Article Number: **71809000**

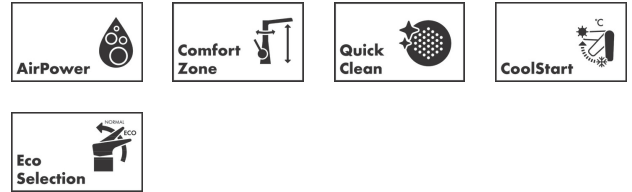


Description

product features

- ComfortZone 100
- cold water in basic handle position
- swivel range 360°
- normal spray
- connection dimension: DN15
- maximum flow rate at 3 bar: 12 l/min
- ceramic cartridge with Eco handle position for a reduced flowrate by up to 50%
- connection type: G 3/8 connections
- temperature limitation adjustable
- suitable for continuous flow water heaters
- WRAS 1901312
- WRAS 1901312 - Approval letter

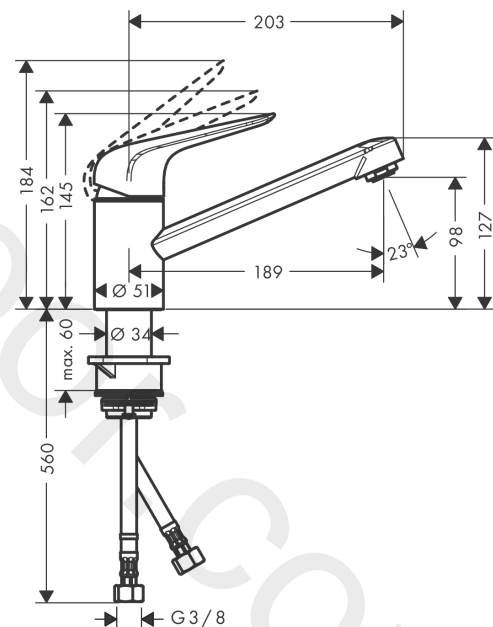
Technology



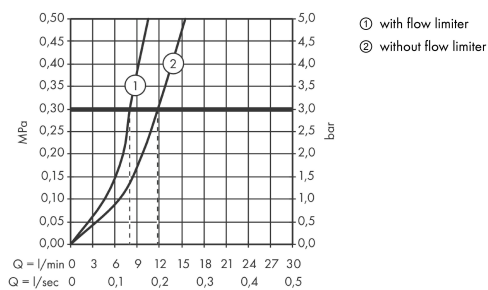
Product image



Scale drawing



Flowchart



Focus M42

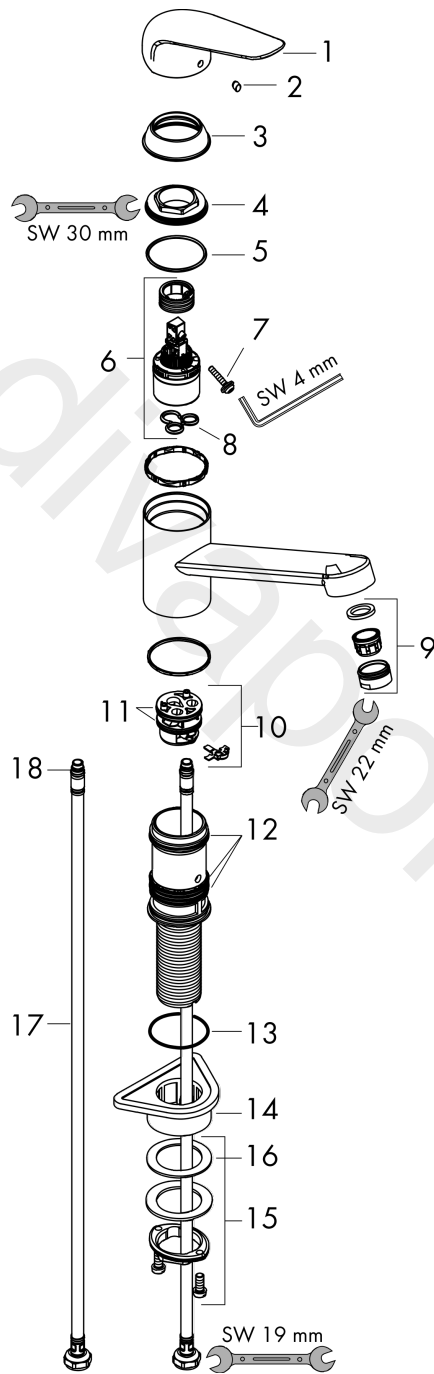
Single lever kitchen mixer 100, CoolStart, EcoSelection, 1jet

Finish: **Chrome** Article Number: **71809000**



Exploded Drawing

Year of production: >10/18



Focus M42**Single lever kitchen mixer 100, CoolStart, EcoSelection, 1jet**Finish: **Chrome** Article Number: **71809000****Spare part list**

Year of production: >10/18

Pos.	Description	Article Number	Price	PU
1	handle	93348000	-	1
2	screw cover	96338000	-	1
3	flange	97995000	-	1
4	nut	97996000	-	1
5	O-ring 41x2	98212000	-	1
6	cartridge, assy	95730000	-	1
7	locking screw for handle	95140000	-	1
8	seal	95008000	-	1
9	aerator M24x1 (15 l/min)	13913000	-	1
10	adapter for cartridge	98750000	-	1
11	O-Ring 30x2	98186000	-	1
12	sealing set	98702000	-	1
13	O-Ring 36x2,5	98190000	-	1
14	support	97523000	-	1
15	fixing set (Ø 34)	95049000	-	1
16	lever collar	97548000	-	1
17	connection hose 600 mm M8x0,75 G3/8	96556000	-	1
18	O-ring 7x1,5	98422000	-	1