

## Talis E

Single lever bath mixer for exposed installation 2 ticks

Finish: **Brushed Black Chrome** Article Number: **71780349**



### Description

#### product features

- 2 functions
- projection: 194 mm
- centre distance: 150 ± 12 mm
- spray type mixer: normal spray
- maximum flow rate at 3 bar: 20,5 l/min
- flow rate for bath spout at 3 bar: 20,5 l/min
- ceramic cartridge
- temperature limitation adjustable
- diverter with automatic resetting
- with silencer
- suitable for continuous flow water heaters
- connection dimension: DN15
- connection type: s-shaped connections
- wall-mounted

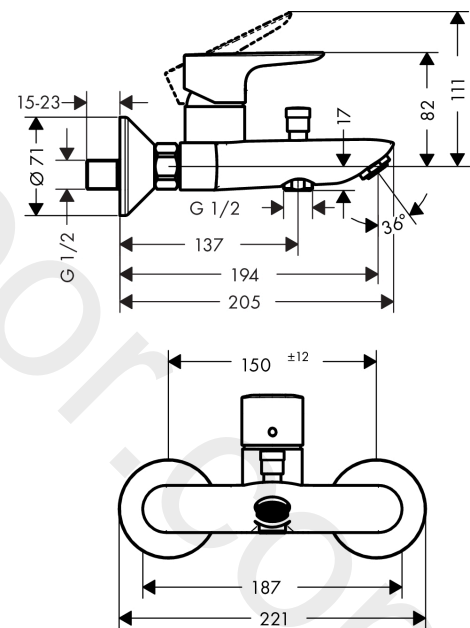
### Technology



### Product image



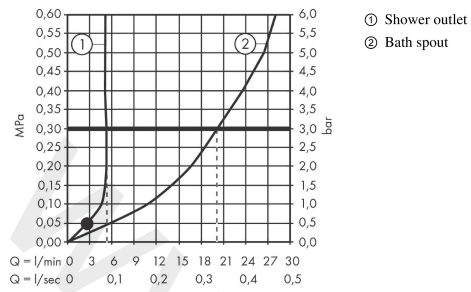
### Scale drawing



**Talis E**  
**Single lever bath mixer for exposed installation 2 ticks**  
 Finish: **Brushed Black Chrome** Article Number: **71780349**



**Flowchart**

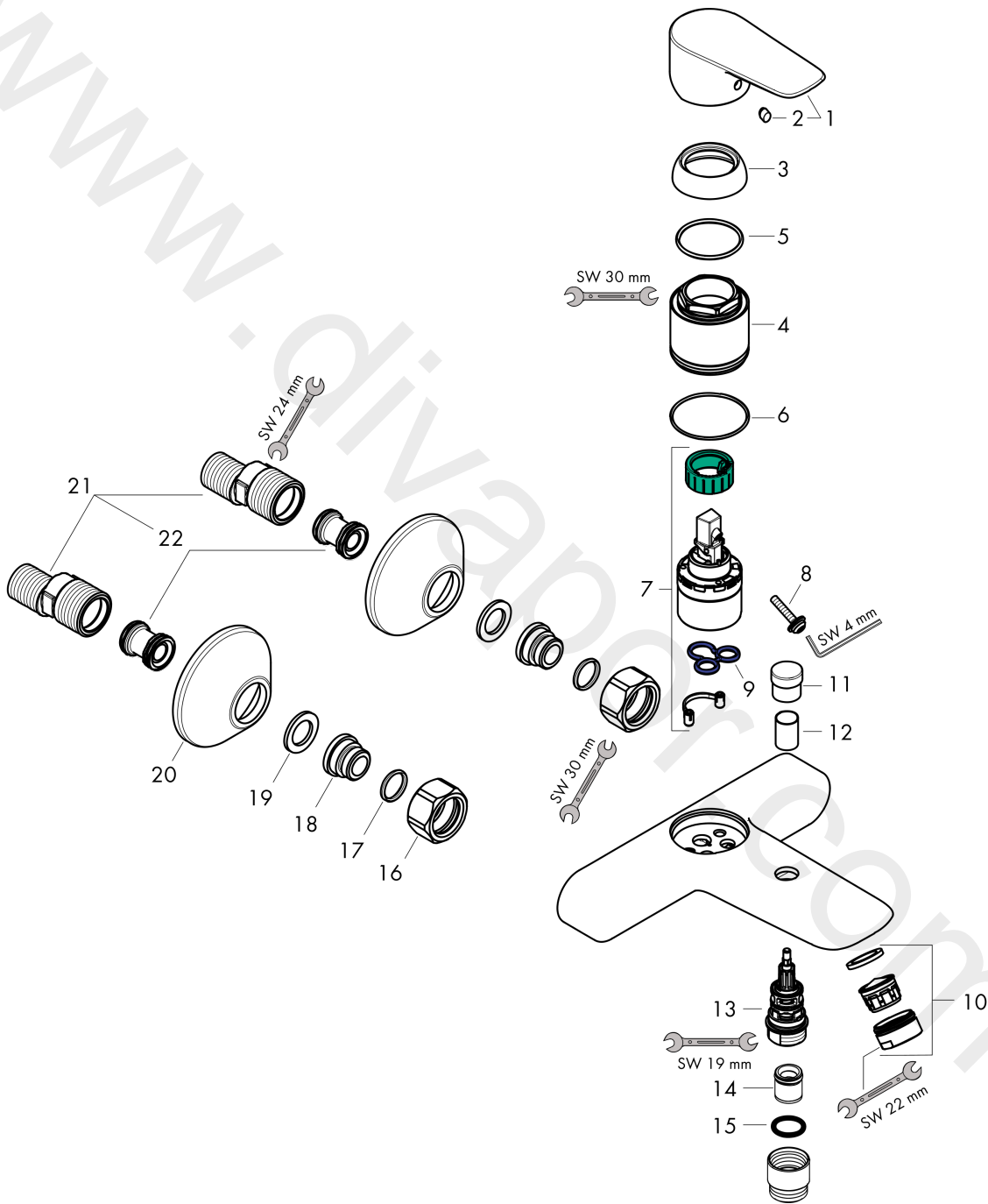


**Talis E**  
**Single lever bath mixer for exposed installation 2 ticks**  
 Finish: **Brushed Black Chrome** Article Number: **71780349**



**Exploded Drawing**

Year of production: >02/21



**Talis E****Single lever bath mixer for exposed installation 2 ticks**Finish: **Brushed Black Chrome** Article Number: **71780349****Spare part list**

Year of production: &gt;02/21

Pos.	Description	Article Number	Price	PU
1	handle	92666340	£ 51,00	1
2	screw cover	96338000	£ 3,30	1
3	flange	97406340	-	1
4	nut	97977000	£ 43,00	1
5	O-Ring 32x2	98193000	£ 3,30	1
6	O-ring 33x1,5	98164000	£ 3,30	1
7	cartridge, assy	92730000	£ 35,00	1
8	locking screw for handle	95140000	£ 6,10	1
9	seal	95008000	£ 9,00	1
10	aerator M24x1 (30 l/min)	96512340	£ 25,00	1
11	diverter knob	97981340	£ 33,00	1
12	sleeve	97979340	£ 25,00	1
13	selector	97978019	-	1
14	non return valve	92839000	£ 16,10	1
15	O-ring 14x2	98129000	£ 3,30	1
16	set of nuts	96157340	£ 51,00	1
17	O-ring 15x2	98163000	£ 3,30	1
18	connecting thread	97220000	£ 16,10	1
19	filter packing	96922000	£ 9,00	1
20	escutcheon Ø 70 mm	94135340	-	1
21	set of S-unions (±12 mm)	94140000	£ 51,00	1
22	noise reduction	96429000	£ 6,10	1