

Talis E

Single lever basin mixer 110 with pop-up waste set 3 ticks

Finish: **Chrome** Article Number: **71777009**



Description

product features

- consists of: single lever basin mixer, waste set
- ComfortZone 110
- projection: 112 mm
- spout height: 104 mm
- handle variant: lever handle
- maximum flow rate at 3 bar: 1,9 l/min
- ceramic cartridge
- temperature limitation adjustable
- pop-up waste set G 1¼
- material waste set: metal
- connection type: G ½ connections
- connection dimension: DN15

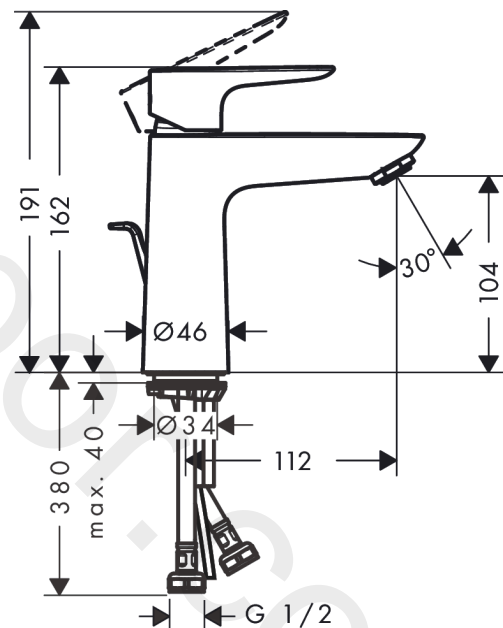
Technology



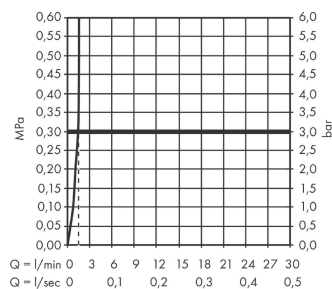
Product image



Scale drawing



Flowchart



Talis E

Single lever basin mixer 110 with pop-up waste set 3 ticks

Finish: **Chrome** Article Number: **71777009**



Spare part list

Year of production: >04/20

Pos.	Description	Article Number	Price	PU
1	handle	92687000	£ 51,00	1
2	screw cover	95704000	£ 3,30	1
3	hollow set screw M6x10 DIN 916	96029000	£ 3,30	1
4	flange	92625000	£ 35,00	1
5	nut	92689000	£ 25,00	1
6	O-ring 25x1,5	98146000	£ 3,30	1
7	O-ring 27x1,5	92527000	£ 13,30	1
8	cartridge, assy	95973000	£ 79,00	1
9	seal	98865000	£ 35,00	1
10	adapter for cartridge	92628000	£ 20,50	1
11	adapter for cartridge	98866000	£ 35,00	1
12	O-ring 23x2	98398000	£ 3,30	1
13	aerator M24x1 (1,9 l/min)	92300000	£ 35,00	1
14	screw M8 x 68	97736000	£ 6,10	1
15	seal Ø 42	98722000	£ 6,10	1
16	fixing set	96016000	£ 35,00	1
17	connection hose 450 mm G½	93020000	£ 35,00	1
18	O-ring 6,6x1,6	93019000	£ 3,30	1
19	pull rod	96657000	£ 13,30	1
a	pop up waste	94139000	£ 96,00	1
b	pop up waste	94139007	-	1