

**Talis E**  
**Single lever shower mixer for concealed installation**  
 Finish: **Matt Black** Article Number: **71765673**



### Description

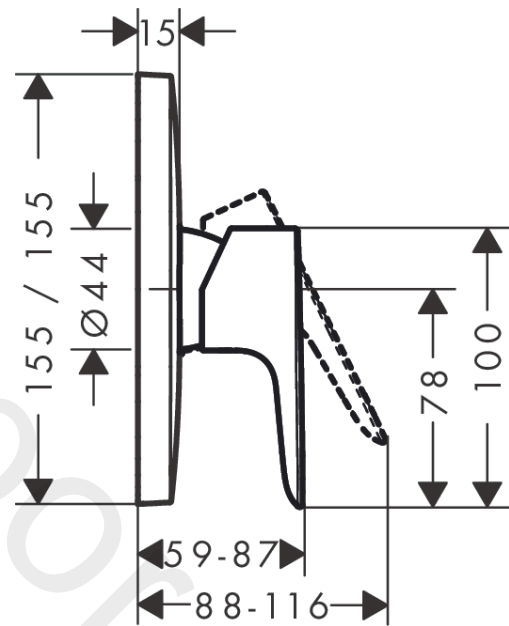
#### product features

- 1 function
- maximum flow rate at 3 bar: 31 l/min
- ceramic cartridge
- temperature limitation adjustable
- with silencer
- suitable for continuous flow water heaters
- connection dimension: DN15
- connection type: basic set

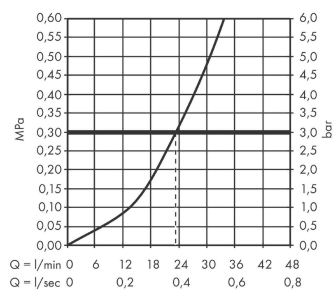
### Product image



### Scale drawing



### Flowchart

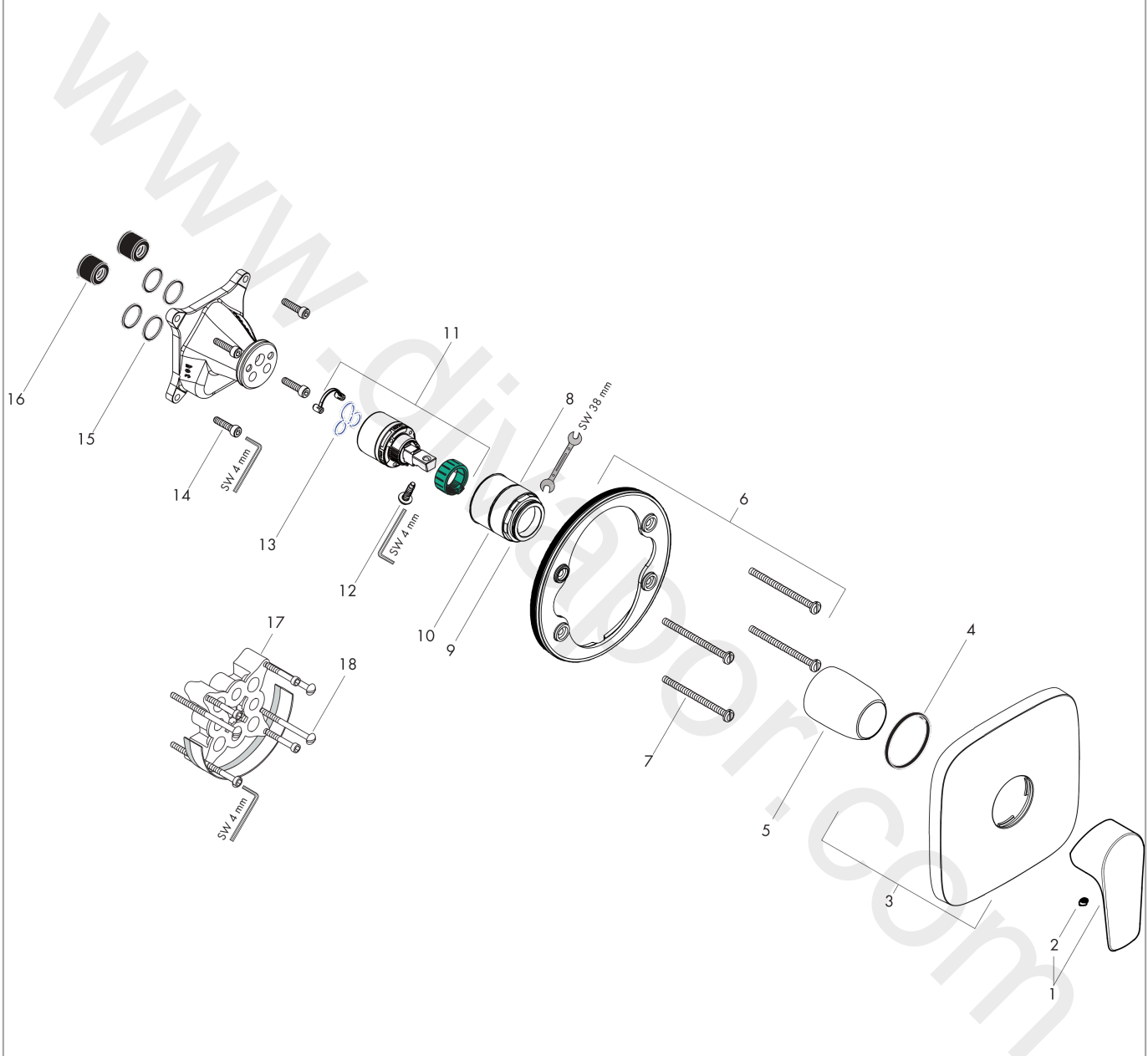


**Talis E**  
**Single lever shower mixer for concealed installation**  
 Finish: **Matt Black** Article Number: **71765673**



**Exploded Drawing**

Year of production: >04/20



**Talis E**  
**Single lever shower mixer for concealed installation**  
 Finish: **Matt Black** Article Number: **71765673**



## Spare part list

Year of production: >04/20

Pos.	Description	Article Number	Price	PU
1	handle	92666670	£ 51,00	1
2	screw cover	96338000	£ 3,30	1
3	escutcheon 155 / 155 mm	95276670	£ 96,00	1
4	O-ring 43x3	98418000	£ 3,30	1
5	sleeve	98790670	£ 51,00	1
6	holder for escutcheon	98793000	£ 43,00	1
7	set of fixing screws	96454000	£ 9,00	1
8	nut	98796000	£ 43,00	1
9	O-ring 30x1,5	98433000	£ 3,30	1
10	O-ring 39x1,5	98400000	£ 3,30	1
11	cartridge, assy	92730000	£ 35,00	1
12	locking screw for handle	95140000	£ 6,10	1
13	seal	95008000	£ 9,00	1
14	set of screws	96525000	£ 9,00	1
15	O-ring 16x2	98133000	£ 3,30	1
16	noise reduction	94073000	£ 25,00	1
17	extension 25 mm	13595000	£ 75,00	1
18	set of fixing screws	97747000	£ 3,30	1
a	concealed item	01800180	£ 163,00	1