

## Talis E

Single lever shower mixer for exposed installation with centre distance 15.3 cm CH

Finish: **Chrome** Article Number: **71761000**



### Description

#### product features

- 1 function
- centre distance: 153 mm
- maximum flow rate at 3 bar: 19 l/min
- flow rate of hand shower at 3 bar: 12 l/min
- ceramic cartridge
- temperature limitation adjustable
- non-return valve
- with silencer
- hose connection DN15
- connection dimension: DN15

### Article Details

Price excl. VAT

216,67 £

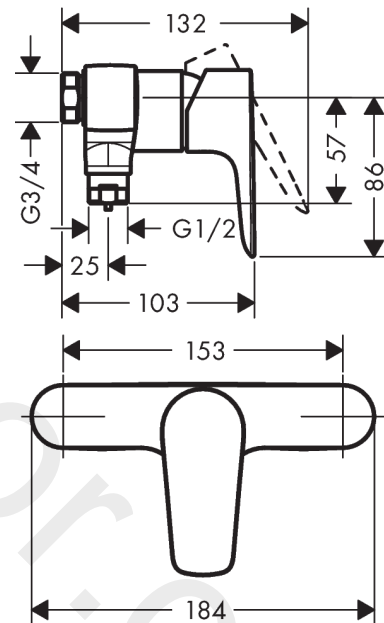
### Certificates / Sustainability



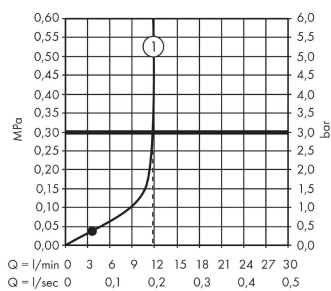
### Product image



### Scale drawing



### Flowchart



**Talis E**

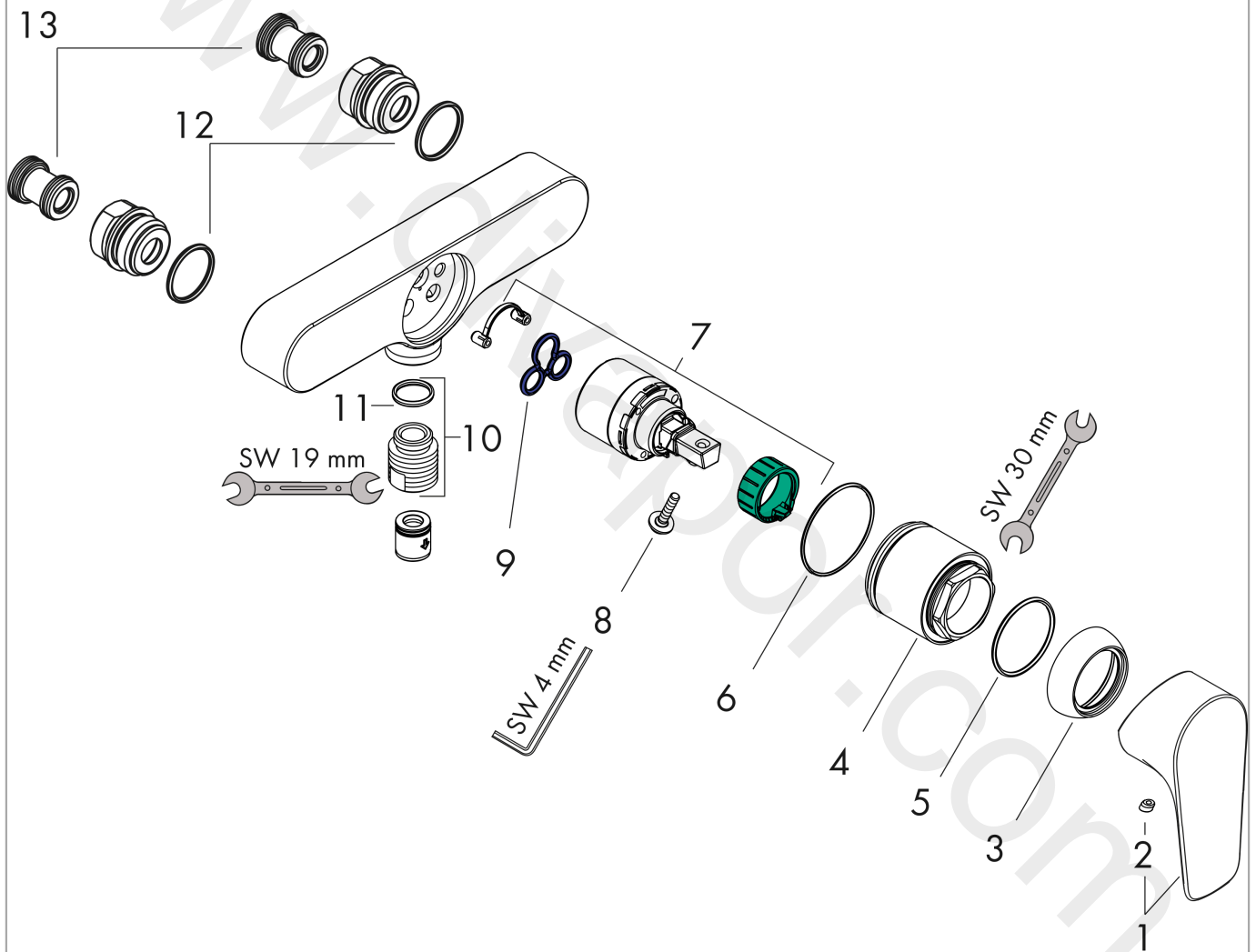
**Single lever shower mixer for exposed installation with centre distance 15.3 cm CH**

Finish: **Chrome** Article Number: **71761000**



**Exploded Drawing**

Year of production: >12/17



**Talis E**

**Single lever shower mixer for exposed installation with centre distance 15.3 cm CH**

Finish: **Chrome** Article Number: **71761000**



**Spare part list**

Year of production: >12/17

Pos.	Description	Article Number	Price	PU
1	handle	92666000	£ 35,00	1
2	screw cover	96338000	£ 3,30	1
3	flange	97406000	£ 20,50	1
4	nut	97977000	£ 43,00	1
5	O-Ring 32x2	98193000	£ 3,30	1
6	O-ring 33x1,5	98164000	£ 3,30	1
7	cartridge, assy	92730000	£ 35,00	1
8	locking screw for handle	95140000	£ 6,10	1
9	seal	95008000	£ 9,00	1
10	Hose Connection	96044000	£ 25,00	1
11	O-ring 14x2	98129000	£ 3,30	1
12	O-ring 23x2	98398000	£ 3,30	1
13	noise reduction	96429000	£ 6,10	1