

**Talis E**  
**Single lever basin mixer 150 without waste set**  
 Finish: **Chrome** Article Number: **71755000**



## Description

### product features

- ComfortZone 150
- projection: 141 mm
- spout height: 133 mm
- handle variant: lever handle
- spray type: normal spray
- maximum flow rate at 3 bar: 5 l/min
- ceramic cartridge
- temperature limitation adjustable
- suitable for continuous flow water heaters
- connection type: G 3/8 connections
- connection dimension: DN15
- EU taxonomy: max. 6 l/min - Substantial Contribution (SC) possible
- WRAS 2209002

## Article Details

Price excl. VAT

266,67 £

## Technology



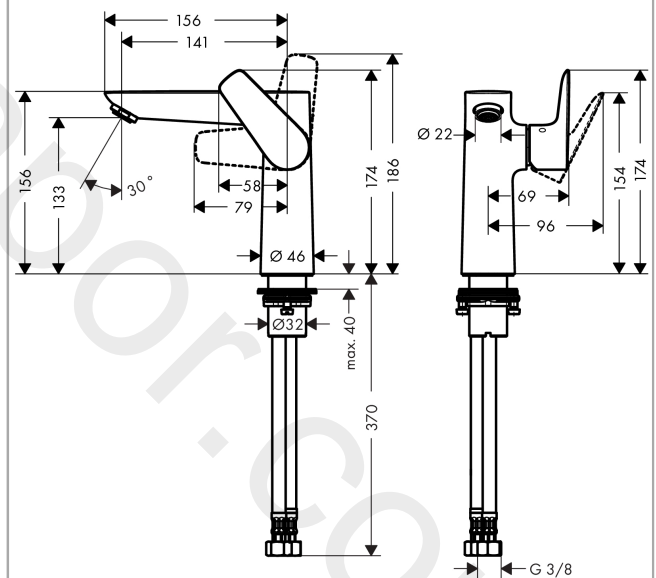
## Certificates / Sustainability



## Product image



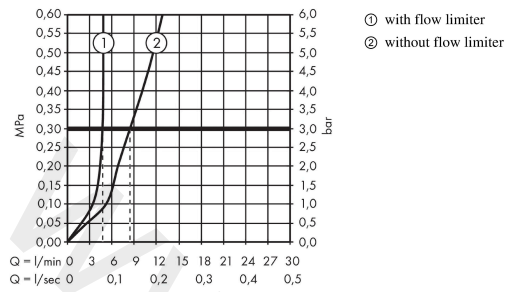
## Scale drawing



**Talis E**  
**Single lever basin mixer 150 without waste set**  
 Finish: **Chrome** Article Number: **71755000**



**Flowchart**

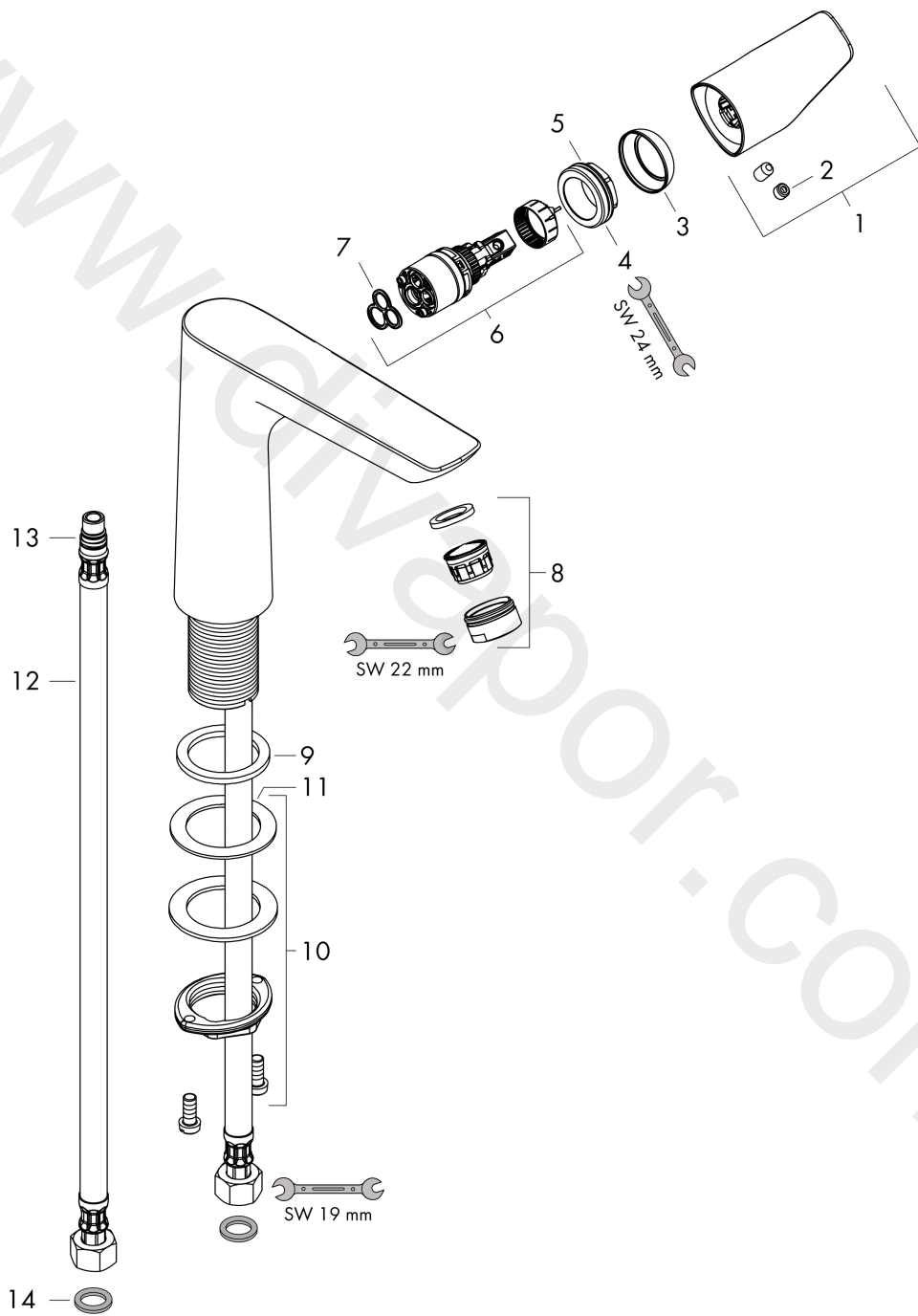


**Talis E**  
**Single lever basin mixer 150 without waste set**  
 Finish: **Chrome** Article Number: **71755000**



**Exploded Drawing**

Year of production: >05/16



**Talis E**  
**Single lever basin mixer 150 without waste set**  
 Finish: **Chrome** Article Number: **71755000**



## Spare part list

Year of production: >05/16

Pos.	Description	Article Number	Price	PU
1	handle	92777000	£ 51,00	1
2	screw cover	95704000	£ 3,30	1
3	flange	95493000	£ 20,50	1
4	nut	95178000	£ 43,00	1
5	O-ring 24x2	98388000	£ 3,30	1
6	cartridge, assy	97685000	£ 64,00	1
7	seal	98865000	£ 35,00	1
8	aerator M24x1 (5 l/min)	13185000	£ 22,30	1
9	flat seal	98749000	£ 6,10	1
10	fixing set (Ø 32)	13961000	£ 25,00	1
11	lever collar	97548000	£ 3,30	1
12	connection hose 450 mm M10x1 G3/8	96507000	£ 43,00	1
13	O-ring 8x1,75	97827000	£ 3,30	1
14	sealing set	95581000	£ 6,10	1
a	fixation extension 35 mm	13898000	£ 79,00	1