

Talis E

Single lever basin mixer 150 with pop-up waste set

Finish: **Polished Gold Optic** Article Number: **71754990**



Description

product features

- consists of: single lever basin mixer, waste set
- ComfortZone 150
- projection: 141 mm
- spout height: 133 mm
- handle variant: lever handle
- spray type: normal spray
- maximum flow rate at 3 bar: 5 l/min
- ceramic cartridge
- temperature limitation adjustable
- suitable for continuous flow water heaters
- pop-up waste set G 1¼
- material waste set: metal
- connection type: G ¾ connections
- connection dimension: DN15
- EU taxonomy: max. 6 l/min - Substantial Contribution (SC) possible
- WRAS 2209002

Article Details

Price excl. VAT

406,20 £

Technology



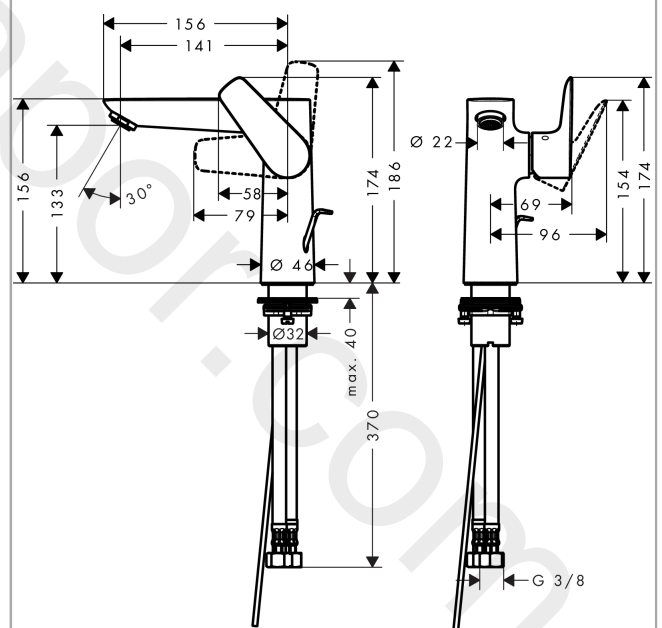
Design awards



Product image



Scale drawing



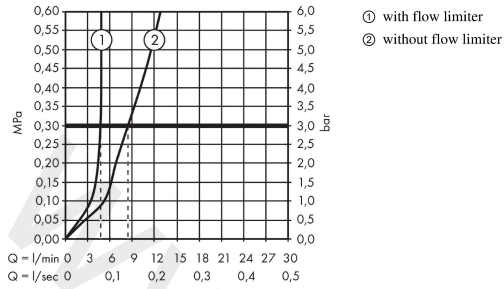
Talis E

Single lever basin mixer 150 with pop-up waste set

Finish: **Polished Gold Optic** Article Number: **71754990**



Flowchart

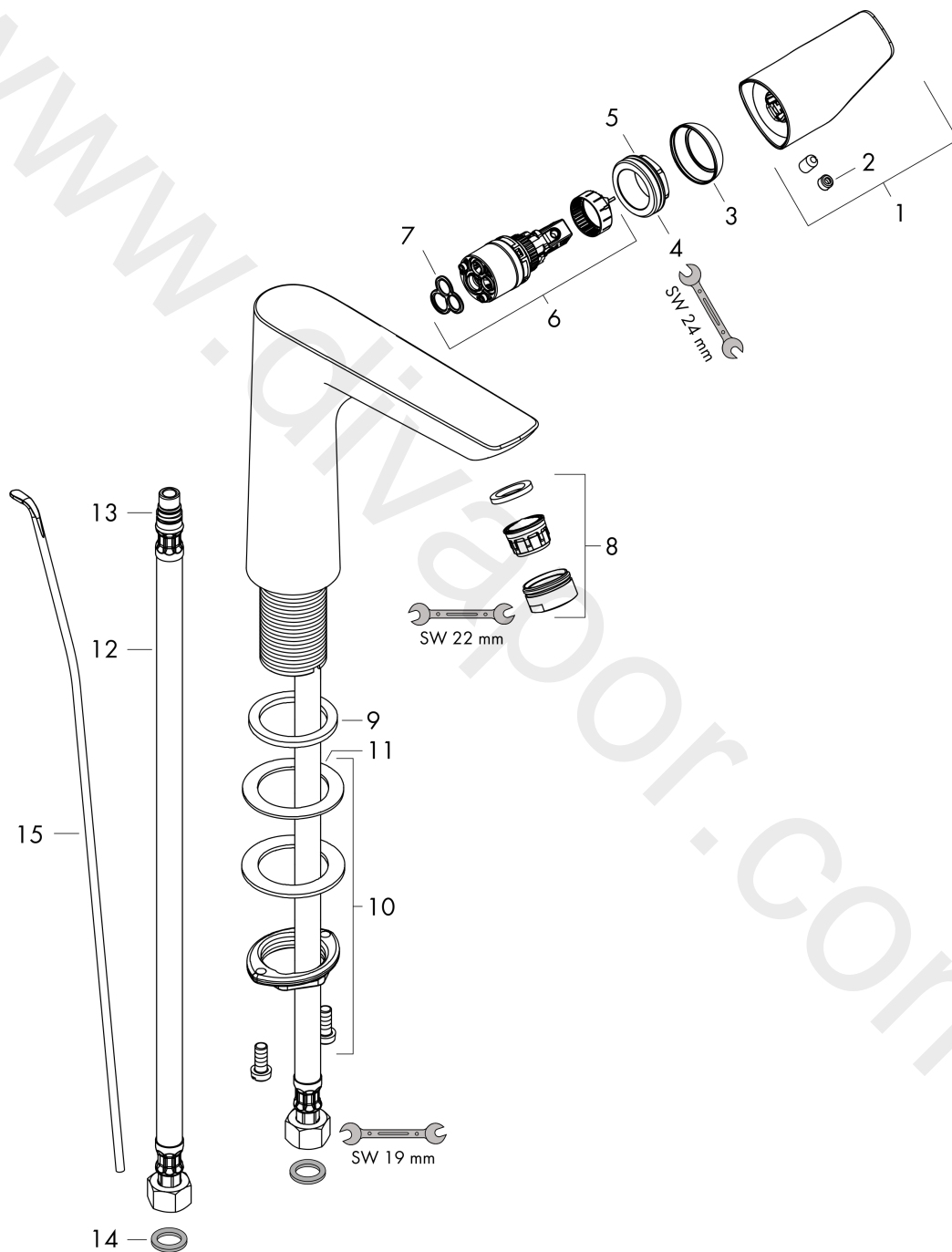


Talis E
Single lever basin mixer 150 with pop-up waste set
 Finish: **Polished Gold Optic** Article Number: **71754990**



Exploded Drawing

Year of production: >08/19



Talis E**Single lever basin mixer 150 with pop-up waste set**Finish: **Polished Gold Optic** Article Number: **71754990****Spare part list**

Year of production: >08/19

Pos.	Description	Article Number	Price	PU
1	handle	92777990	£ 76,00	1
2	screw cover	95704000	£ 3,30	1
3	flange	95493990	£ 33,00	1
4	nut	95178000	£ 43,00	1
5	O-ring 24x2	98388000	£ 3,30	1
6	cartridge, assy	97685000	£ 64,00	1
7	seal	98865000	£ 35,00	1
8	aerator M24x1 (5 l/min)	13185990	£ 51,00	1
9	flat seal	98749000	£ 6,10	1
10	fixing set (Ø 32)	13961000	£ 25,00	1
11	lever collar	97548000	£ 3,30	1
12	fixation extension 35 mm	13898000	£ 79,00	1
13	connection hose 450 mm M10x1 G3/8	96507000	£ 43,00	1
14	O-ring 8x1,75	97827000	£ 3,30	1
15	pull rod	96657990	£ 19,80	1
a	pop up waste	94139990	£ 144,00	1
b	sealing set	95581000	£ 6,10	1