

Talis E

Single lever bath mixer for exposed installation

Finish: **Polished Gold Optic** Article Number: **71740997**



Description

product features

- 2 functions
- projection: 194 mm
- centre distance: 150 ± 12 mm
- spray type mixer: normal spray
- maximum flow rate at 3 bar: 19 l/min
- flow rate for bath spout at 3 bar: 19 l/min
- ceramic cartridge
- temperature limitation adjustable
- diverter with automatic resetting
- with silencer
- suitable for continuous flow water heaters
- connection dimension: DN15
- connection type: s-shaped connections
- wall-mounted

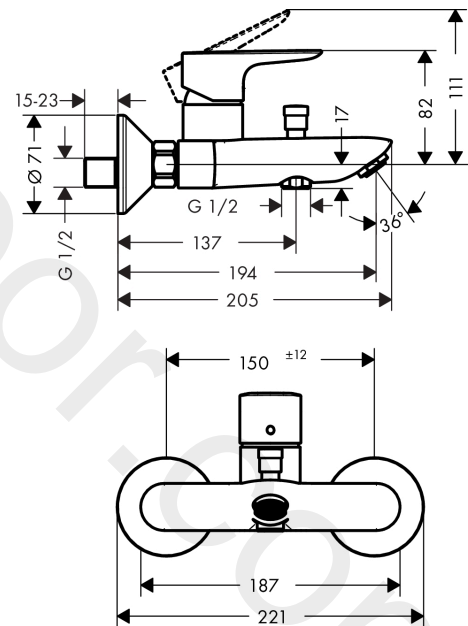
Technology



Product image



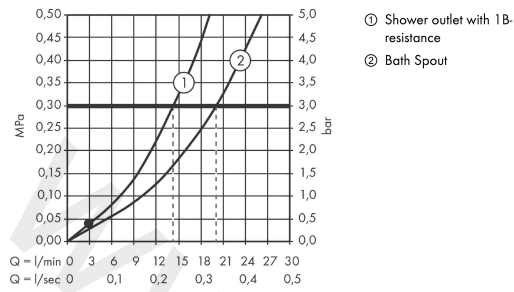
Scale drawing



Talis E
Single lever bath mixer for exposed installation
 Finish: **Polished Gold Optic** Article Number: **71740997**



Flowchart

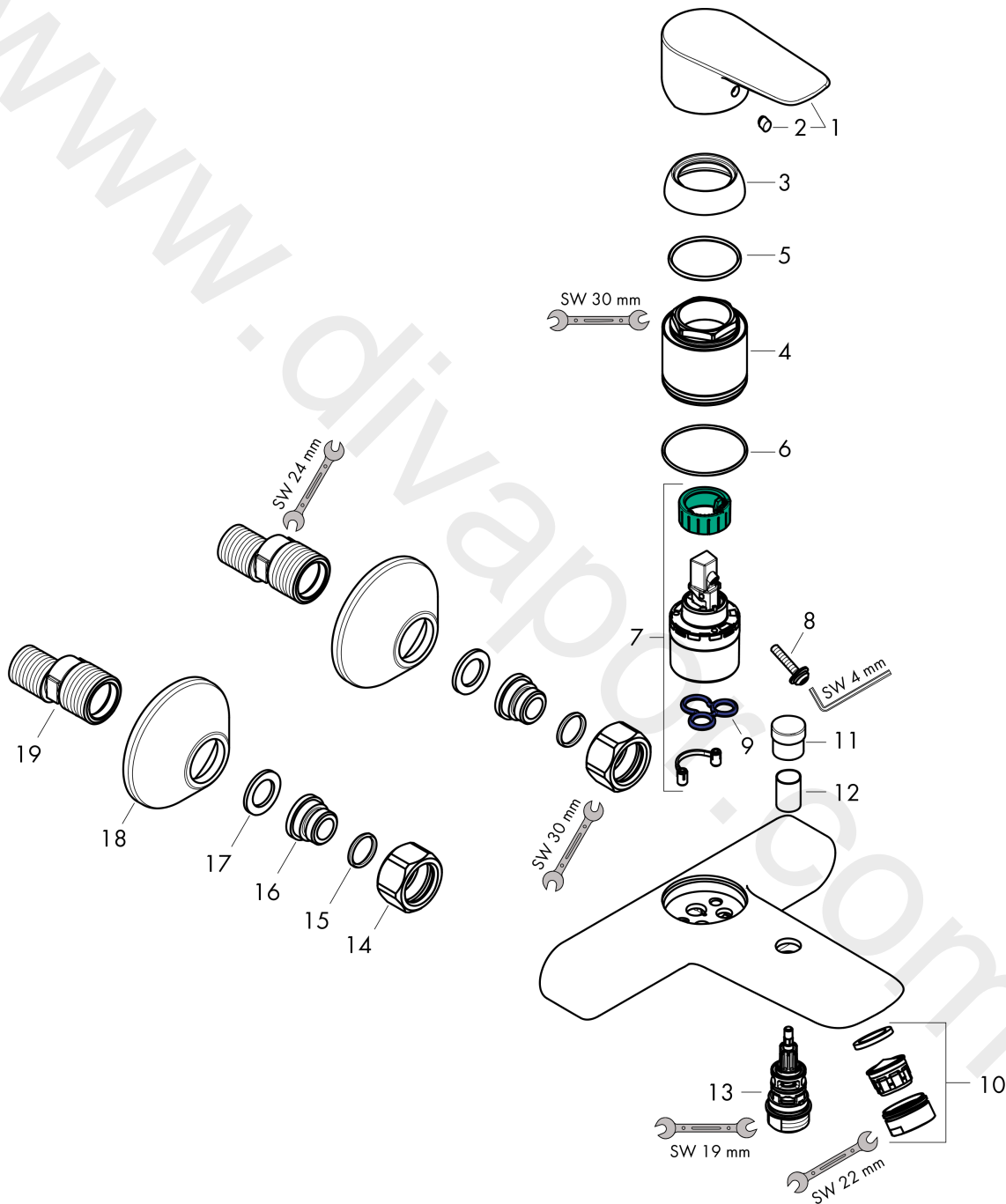


Talis E
Single lever bath mixer for exposed installation
 Finish: **Polished Gold Optic** Article Number: **71740997**



Exploded Drawing

Year of production: >03/20



Talis E

Single lever bath mixer for exposed installation

Finish: **Polished Gold Optic** Article Number: **71740997**



Spare part list

Year of production: >03/20

Pos.	Description	Article Number	Price	PU
1	handle	92666990	£ 51,00	1
2	screw cover	96338000	£ 3,30	1
3	flange	97406990	-	1
4	nut	97977990	£ 64,00	1
5	O-Ring 32x2	98193000	£ 3,30	1
6	O-ring 33x1,5	98164000	£ 3,30	1
7	cartridge, assy	92730000	£ 35,00	1
8	locking screw for handle	95140000	£ 6,10	1
9	seal	95008000	£ 9,00	1
10	aerator M24x1 (30 l/min)	96512990	£ 25,00	1
11	diverter knob	97981990	£ 33,00	1
12	sleeve	97979990	-	1
13	selector	97978000	£ 64,00	1
14	set of nuts	96157990	£ 51,00	1
15	O-ring 15x2	98163000	£ 3,30	1
16	connecting thread	97220000	£ 16,10	1
17	filter packing	96922000	£ 9,00	1
18	escutcheon Ø 70 mm	94135990	£ 19,80	1
19	set of S-unions	94140007	-	1