

Talis E

Single lever basin mixer for concealed installation wall-mounted with spout 22.5 cm 3 ticks

Finish: Polished Gold Optic Article Number: 71736999



Description

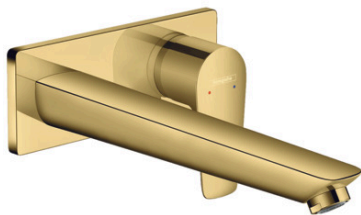
product features

- consists of: single lever basin mixer for concealed installation wall-mounted, waste set
- projection: 225 mm
- handle variant: lever handle
- maximum flow rate at 3 bar: 1,9 l/min
- ceramic cartridge
- temperature limitation adjustable
- non-closing waste set
- material waste set: metal
- connection type: basic set
- connection dimension: DN15
- handle can be positioned on the right or left, depending on the basic set installation

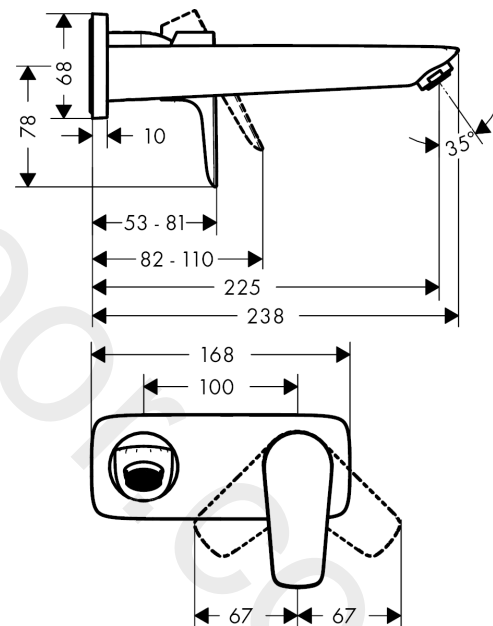
Technology



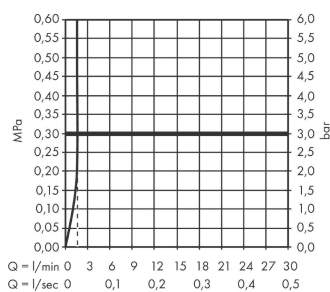
Product image



Scale drawing



Flowchart



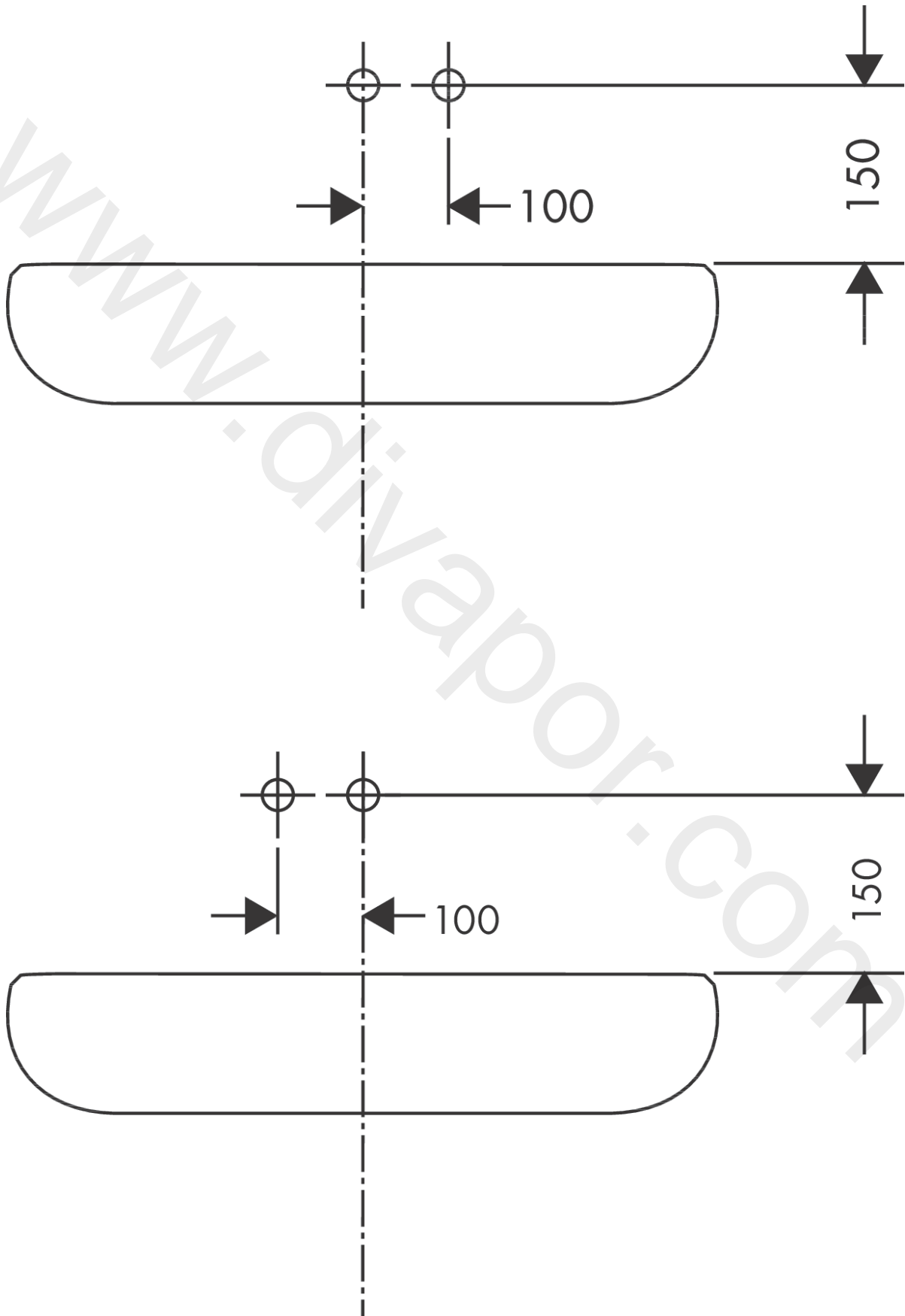
Talis E

Single lever basin mixer for concealed installation wall-mounted with spout 22.5 cm 3 ticks

Finish: Polished Gold Optic Article Number: 71736999



Installation examples



Talis E

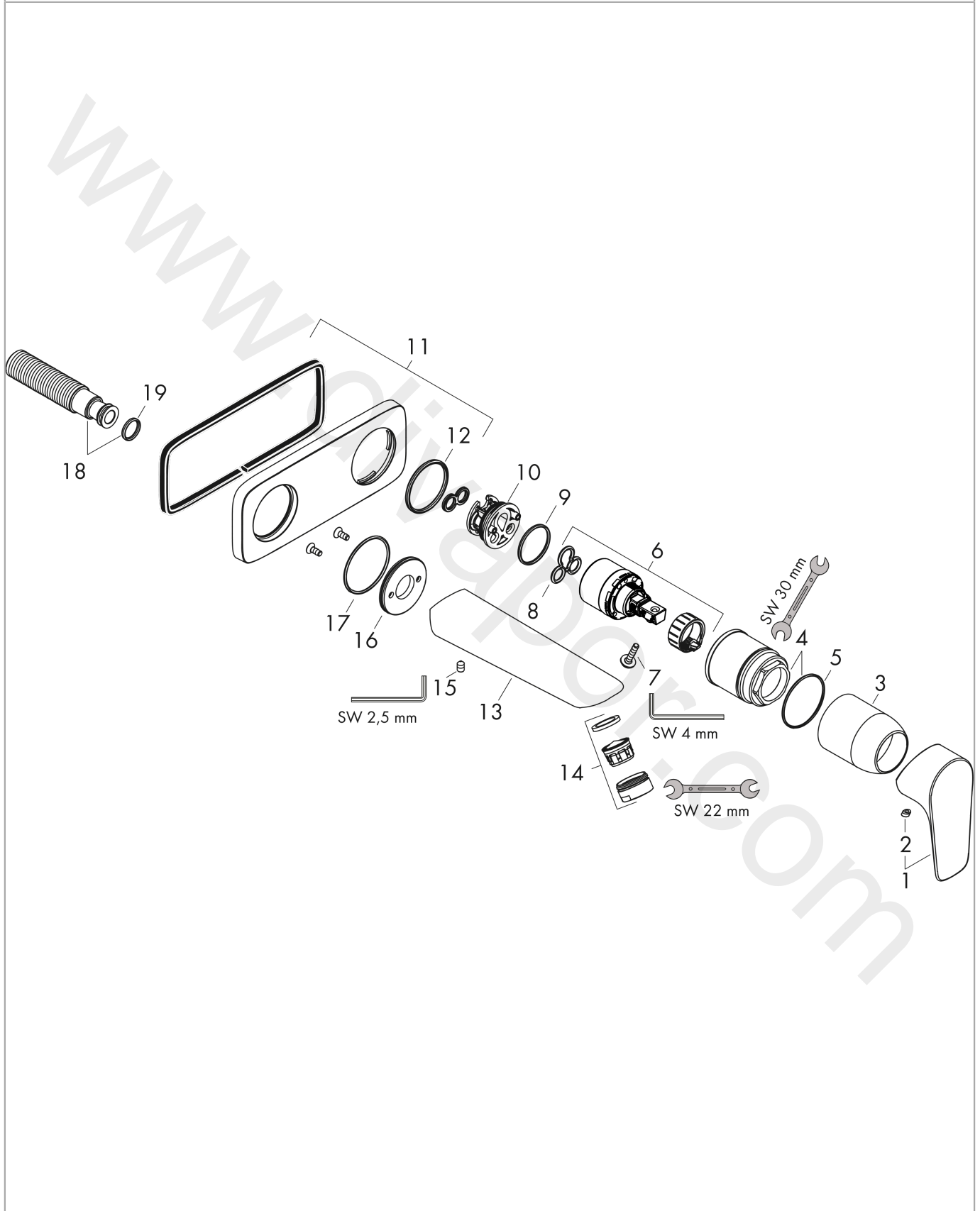
Single lever basin mixer for concealed installation wall-mounted with spout 22.5 cm 3 ticks

Finish: **Polished Gold Optic** Article Number: **71736999**



Exploded Drawing

Year of production: >04/20



Talis E

Single lever basin mixer for concealed installation wall-mounted with spout 22.5 cm 3 ticks

Finish: Polished Gold Optic Article Number: 71736999



Spare part list

Year of production: >04/20

Pos.	Description	Article Number	Price	PU
1	handle	92666990	£ 51,00	1
2	screw cover	96338000	£ 3,30	1
3	sleeve	98790990	-	1
4	nut	95622000	£ 43,00	1
5	O-ring 39x1,5	98400000	£ 3,30	1
6	cartridge, assy	95646000	£ 96,00	1
7	locking screw for handle	95140000	£ 6,10	1
8	seal	95008000	£ 9,00	1
9	O-ring 26x2	98147000	£ 3,30	1
10	adapter for cartridge	95779000	£ 16,10	1
11	escutcheon	92239990	£ 96,00	1
12	O-ring 43x3	98418000	£ 3,30	1
13	spout 225 mm	92714990	£ 202,00	1
14	aerator M24x1 (1,9 l/min)	92300990	£ 51,00	1
15	aerator M24x1 (1,9 l/min)	92300000	£ 35,00	1
16	escutcheon	95642990	£ 25,00	1
17	O-ring 41x2	98212000	£ 3,30	1
18	connecting thread G½	95626000	£ 43,00	1
19	O-ring 13x2	98128000	£ 3,30	1
a	waste	50001990	£ 106,56	1