

Talis E

Single lever basin mixer for concealed installation wall-mounted with spout 22.5 cm

Finish: **Brushed Black Chrome** Article Number: **71734340**



Description

product features

- consists of: single lever basin mixer for concealed installation wall-mounted, waste set
- projection: 225 mm
- handle variant: lever handle
- spray type: normal spray
- maximum flow rate at 3 bar: 5 l/min
- ceramic cartridge
- temperature limitation adjustable
- suitable for continuous flow water heaters
- non-closing waste set
- material waste set: metal
- connection type: basic set
- connection dimension: DN15
- handle can be positioned on the right or left, depending on the basic set installation
- EU taxonomy: max. 6 l/min - Substantial Contribution (SC) possible
- WRAS 2301051
- WRAS 2301051 - Approval letter 2301051

Article Details

Price excl. VAT

400,00 £

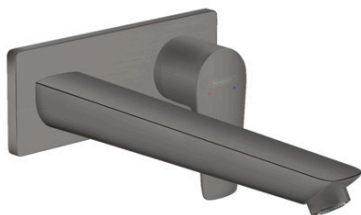
Technology



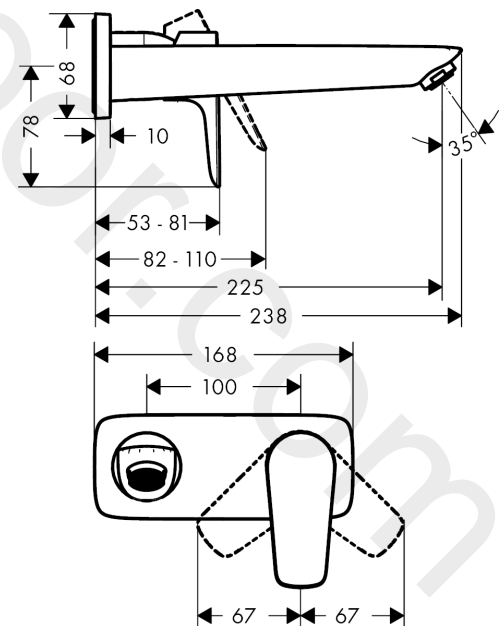
Design awards



Product image



Scale drawing



Talis E

Single lever basin mixer for concealed installation wall-mounted with spout 22.5 cm

Finish: **Brushed Black Chrome** Article Number: **71734340**



Flowchart



www.divapor.com

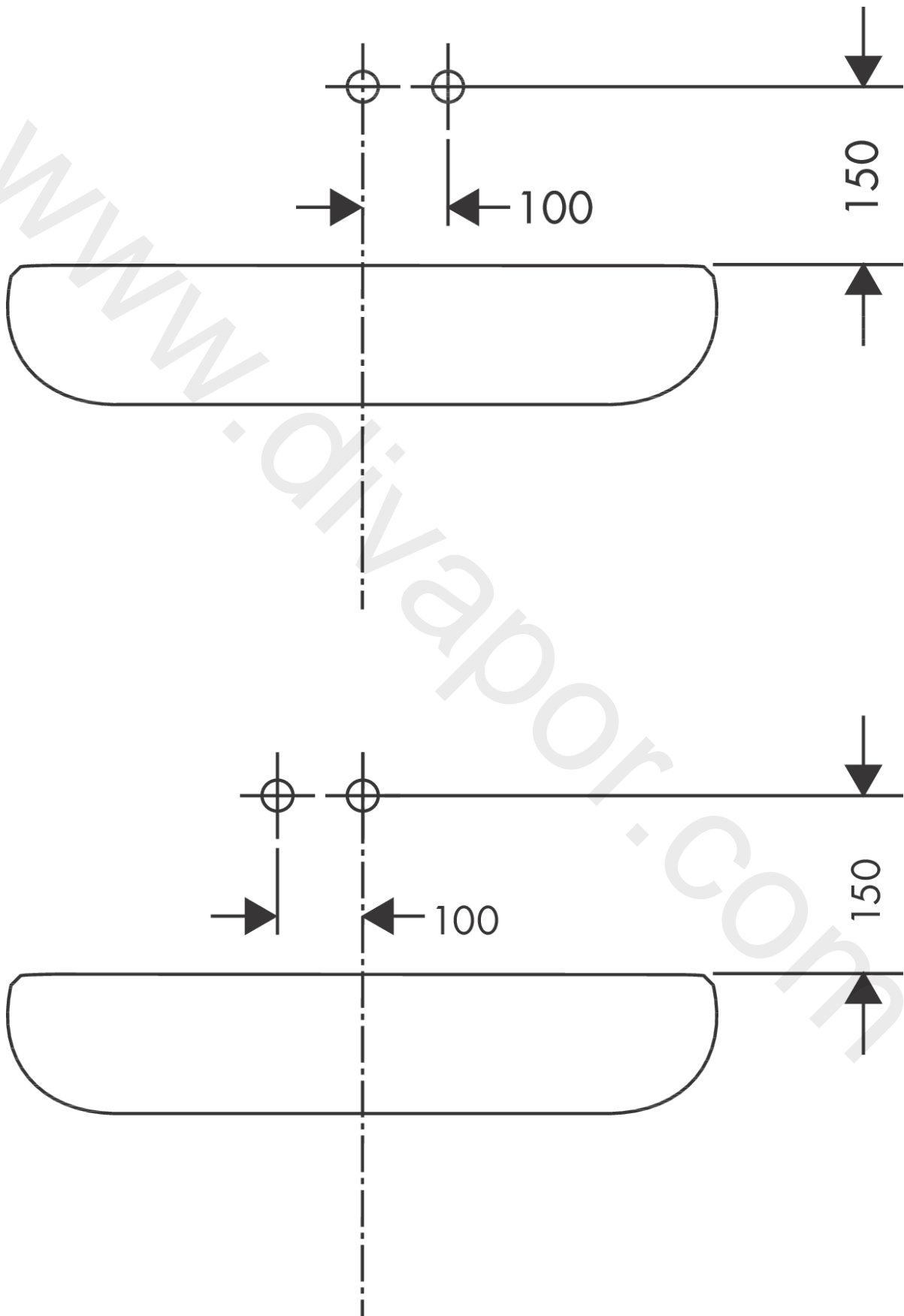
Talis E

Single lever basin mixer for concealed installation wall-mounted with spout 22.5 cm

Finish: **Brushed Black Chrome** Article Number: 71734340



Installation examples



Talis E

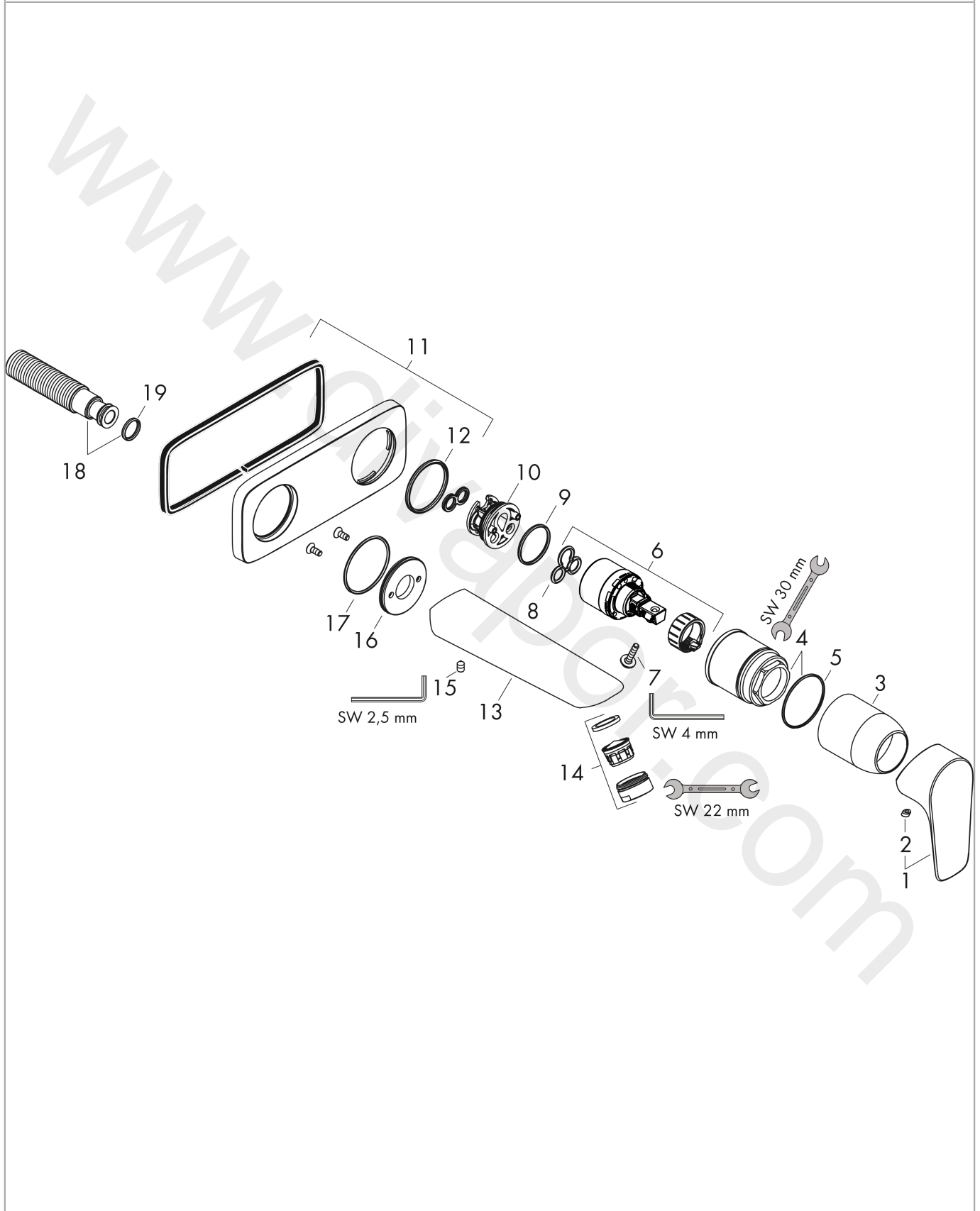
Single lever basin mixer for concealed installation wall-mounted with spout 22.5 cm

Finish: **Brushed Black Chrome** Article Number: **71734340**



Exploded Drawing

Year of production: >11/19



Talis E

Single lever basin mixer for concealed installation wall-mounted with spout 22.5 cm

Finish: **Brushed Black Chrome** Article Number: **71734340**



Spare part list

Year of production: >11/19

Pos.	Description	Article Number	Price	PU
1	handle	92666340	£ 51,00	1
2	screw cover	96338000	£ 3,30	1
3	sleeve	98790340	£ 51,00	1
4	nut	95622000	£ 43,00	1
5	O-ring 39x1,5	98400000	£ 3,30	1
6	cartridge, assy	92730000	£ 35,00	1
7	locking screw for handle	95140000	£ 6,10	1
8	seal	95008000	£ 9,00	1
9	O-ring 26x2	98147000	£ 3,30	1
10	adapter for cartridge	95779000	£ 16,10	1
11	escutcheon	92239340	£ 96,00	1
12	O-ring 43x3	98418000	£ 3,30	1
13	spout 225 mm	92714340	£ 202,00	1
14	aerator M24x1 (5 l/min)	13185340	£ 33,00	1
15	hollow set screw M5x8	92851000	£ 3,30	1
16	escutcheon	95642340	£ 25,00	1
17	O-Ring 30x2	98186000	£ 3,30	1
18	connecting thread G½	95626000	£ 43,00	1
19	O-ring 13x2	98128000	£ 3,30	1
a	waste	50001340	£ 106,56	1
b	extension set 25 mm for 13622180	31971000	£ 169,00	1