

**Talis E**

**3-hole basin mixer 150 with pop-up waste set**

Finish: **Brushed Black Chrome** Article Number: **71733341**



**Description**

**product features**

- ComfortZone 150
- projection: 112 mm
- spray type: normal spray
- maximum flow rate at 3 bar: 4,5 l/min
- ceramic valves hot/cold 90°
- suitable for continuous flow water heaters
- pop-up waste set G 1
- connection type: G 3/8 compression
- connection dimension: DN15

**Technology**



**Product image**



**Talis E**

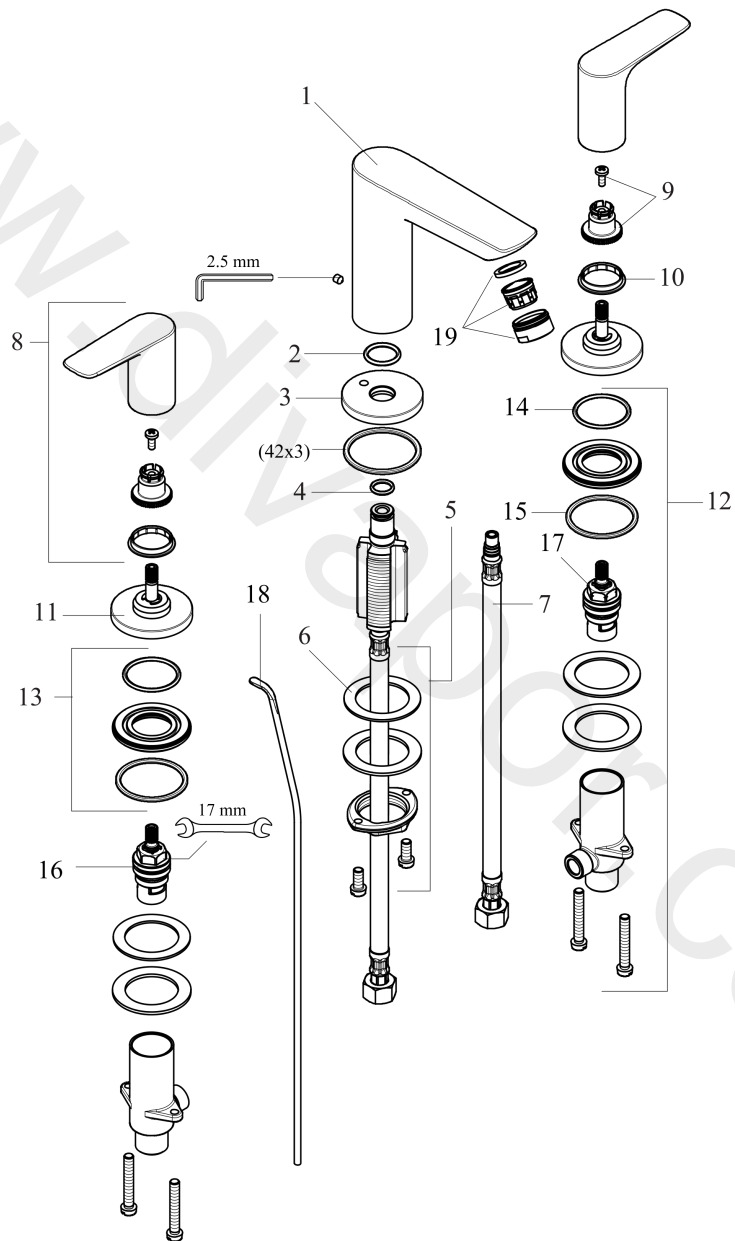
**3-hole basin mixer 150 with pop-up waste set**

Finish: **Brushed Black Chrome** Article Number: **71733341**



**Exploded Drawing**

Year of production: >07/20



## Talis E

### 3-hole basin mixer 150 with pop-up waste set

Finish: **Brushed Black Chrome** Article Number: **71733341**



#### Spare part list

Year of production: >07/20

Pos.	Description	Article Number	Price	PU
1	spout cpl.	92785340	£ 202,00	1
2	O-ring 18x2,5	98139000	£ 3,30	1
3	escutcheon Ø 53 mm	95272340	£ 96,00	1
4	O-ring 11x2	98127000	£ 3,30	1
5	fixing set (Ø 32)	13961000	£ 25,00	1
6	lever collar	97548000	£ 3,30	1
7	connection hose 450 mm M8x0,75 G3/8	97206000	£ 35,00	1
8	handle	92779340	£ 96,00	1
9	handle fixing set	94184000	£ 6,10	1
10	set of color-rings cold / hot water	95819000	£ 13,30	1
11	escutcheon Ø 52 mm	97285340	£ 76,00	1
12	stop valve cpl.	97357001	-	1
13	nut	92854000	£ 20,50	1
14	O-Ring 32x2,5	96364000	£ 25,00	1
15	O-ring 40x3	92634000	£ 3,30	1
16	shut off unit right closing	94009000	£ 43,00	1
17	shut off unit left closing	94008000	£ 43,00	1
18	pull rod	96657340	£ 19,80	1
19	aerator M24x1 (4,5 l/min)	92877340	-	1
a	O-ring	92768000	£ 6,10	1