

Talis E

3-hole basin mixer with pop-up waste set

Finish: **Brushed Black Chrome** Article Number: **71733340**



Description

product features

- consists of: 3-hole basin mixer, waste set
- ComfortZone 150
- projection: 112 mm
- spout height: 104 mm
- maximum flow rate at 3 bar: 5 l/min
- ceramic valves hot/cold 90°
- suitable for continuous flow water heaters
- pop-up waste set G 1¼
- material waste set: metal
- connection type: G ¾ connections
- connection dimension: DN15
- EU taxonomy: max. 6 l/min - Substantial Contribution (SC) possible

Article Details

Price excl. VAT

450,00 £

Technology



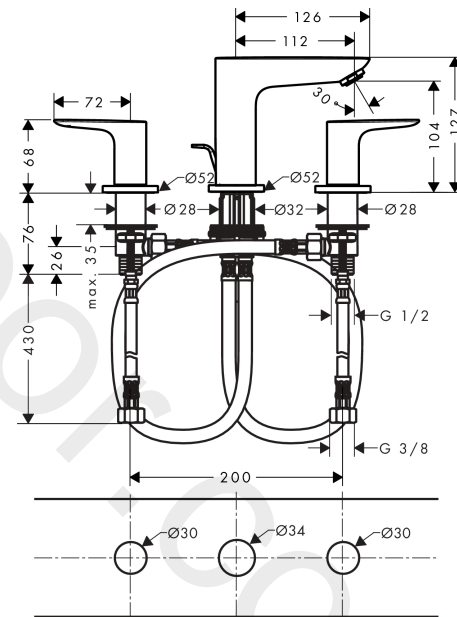
Design awards



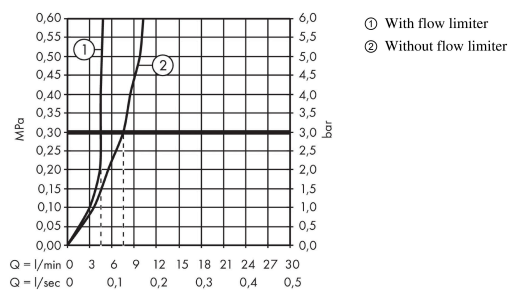
Product image



Scale drawing



Flowchart

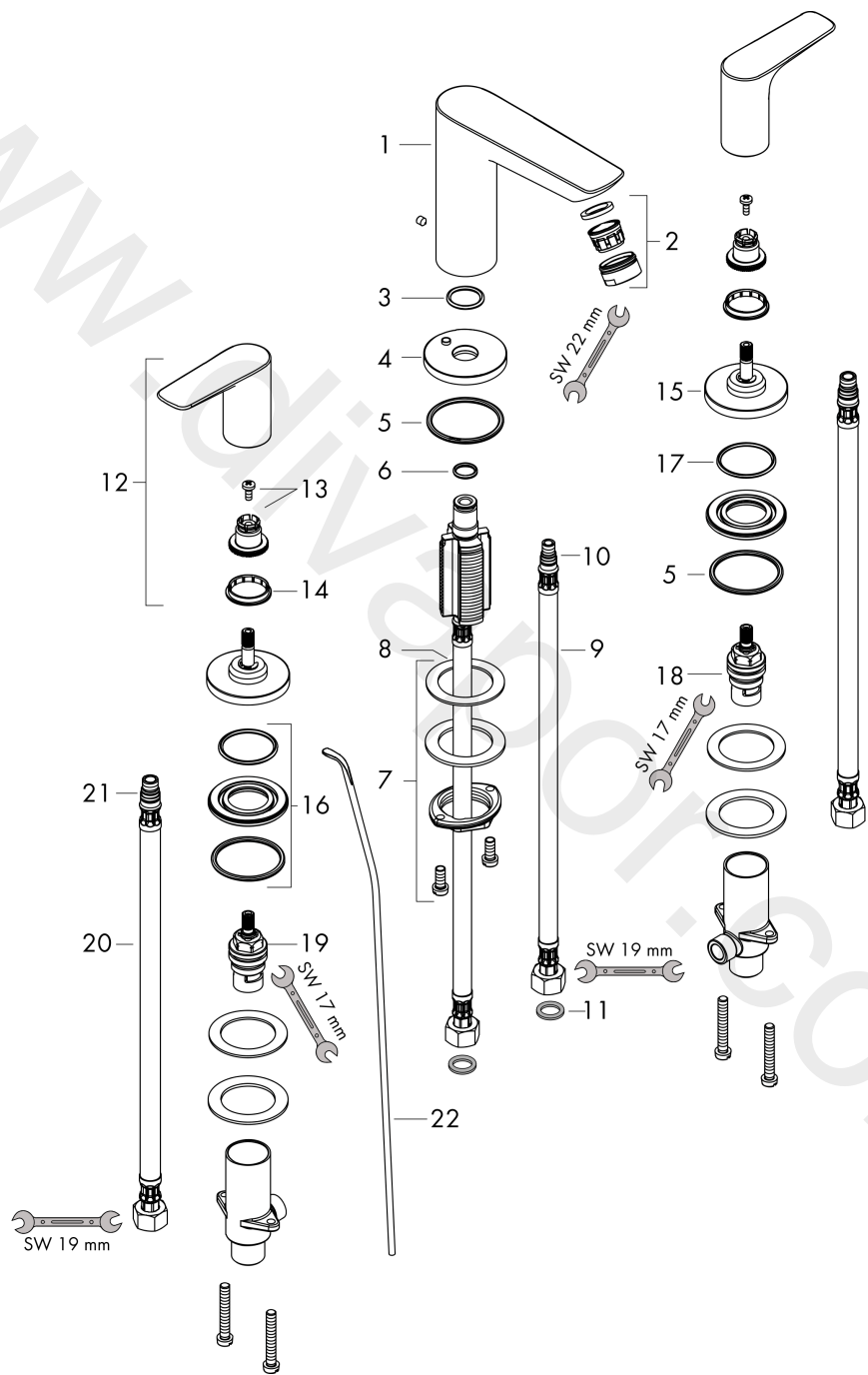


Talis E
3-hole basin mixer with pop-up waste set
 Finish: **Brushed Black Chrome** Article Number: **71733340**



Exploded Drawing

Year of production: >11/19



Talis E

3-hole basin mixer with pop-up waste set

Finish: **Brushed Black Chrome** Article Number: **71733340**



Spare part list

Year of production: >11/19

Pos.	Description	Article Number	Price	PU
1	spout cpl.	92785340	£ 202,00	1
2	aerator M24x1 (5 l/min)	13185340	£ 33,00	1
3	O-ring 18x2,5	98139000	£ 3,30	1
4	escutcheon Ø 53 mm	95272340	£ 96,00	1
5	O-ring 40x3	92634000	£ 3,30	1
6	O-ring 11x2	98127000	£ 3,30	1
7	fixing set (Ø 32)	13961000	£ 25,00	1
8	lever collar	97548000	£ 3,30	1
9	connection hose 450 mm M8x0,75 G3/8	97206000	£ 35,00	1
10	O-ring 7x1,5	98422000	£ 3,30	1
11	sealing set	95581000	£ 6,10	1
12	handle	92779340	£ 96,00	1
13	handle fixing set	94184000	£ 6,10	1
14	set of color-rings cold / hot water	95819000	£ 13,30	1
15	escutcheon Ø 52 mm	97285340	£ 76,00	1
16	nut	92854000	£ 20,50	1
17	O-Ring 32x2,5	96364000	£ 25,00	1
18	shut off unit left closing	94008000	£ 43,00	1
19	shut off unit right closing	94009000	£ 43,00	1
20	connection hose 450 mm M10x1 G3/8	96507000	£ 43,00	1
21	O-ring 8x1,75	97827000	£ 3,30	1
22	pull rod	96657340	£ 19,80	1
a	pop up waste	94139340	£ 163,00	1
b	fixation extension 35 mm	13898000	£ 79,00	1