

Talis E

Self-closing basin mixer 110 with temperature control without waste set

Finish: **Chrome** Article Number: **71718000**



Description

product features

- ComfortZone 110
- projection: 111 mm
- spout height: 106 mm
- handle variant: cylinder handle
- spray type: normal spray
- maximum flow rate at 3 bar: 5 l/min
- self closing cartridge with temperature control
- running time: 3 - 20 seconds adjustable (7 seconds pre-set)
- temperature limitation adjustable
- suitable for continuous flow water heaters
- thermal disinfection possible
- connection type: G 3/8 connections
- connection dimension: DN15
- service tool #93913000 must be used for thermal disinfection
- EU taxonomy: max. 6 l/min - Substantial Contribution (SC) possible

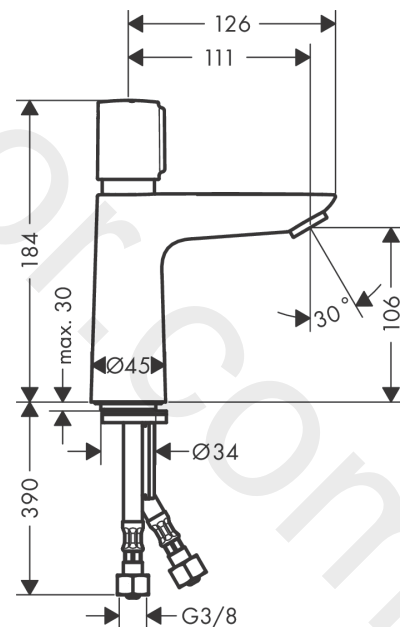
Technology



Product image



Scale drawing



Talis E

Self-closing basin mixer 110 with temperature control without waste set

Finish: **Chrome** Article Number: **71718000**



Flowchart



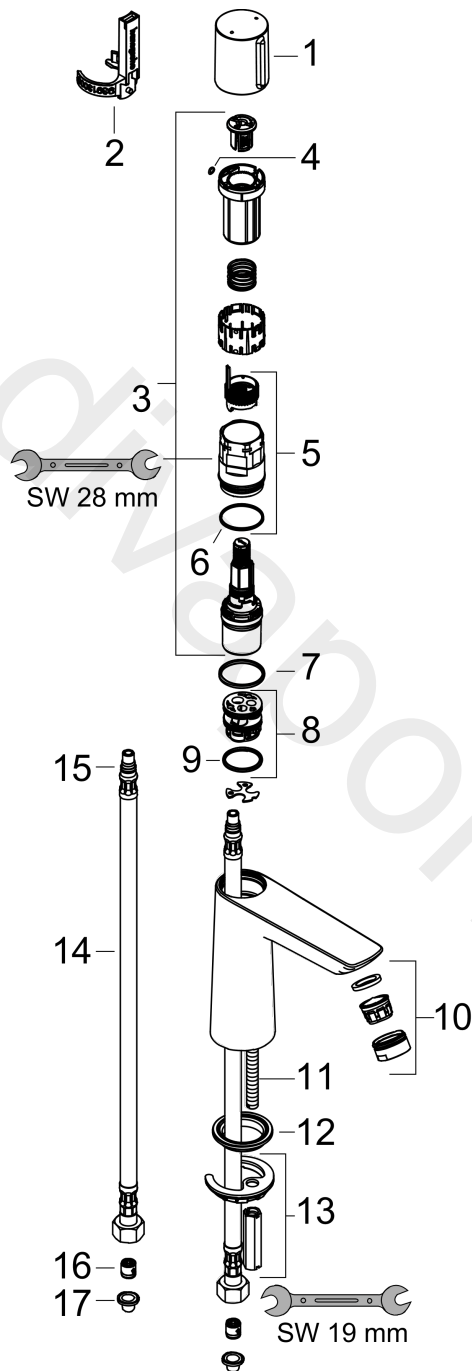
www.divapor.com

Talis E
Self-closing basin mixer 110 with temperature control without waste set
 Finish: **Chrome** Article Number: **71718000**



Exploded Drawing

Year of production: >04/21



Talis E**Self-closing basin mixer 110 with temperature control without waste set**Finish: **Chrome** Article Number: **71718000****Spare part list**

Year of production: >04/21

Pos.	Description	Article Number	Price	PU
1	handle	94372000	£ 64,00	1
2	service set	93913000	£ 26,00	1
3	cartridge, assy	94373000	£ 137,00	1
4	O-ring 3x1	98384000	£ 3,30	1
5	nut	92528000	£ 64,00	1
6	O-ring 27x1,5	92527000	£ 13,30	1
7	O-Ring 28x2	98194000	£ 3,30	1
8	adapter for cartridge	98866000	£ 35,00	1
9	O-ring 23x2	98398000	£ 3,30	1
10	aerator M24x1 (5 l/min)	92372000	£ 20,50	1
11	screw M8 x 68	97736000	£ 6,10	1
12	seal Ø 42	98722000	£ 6,10	1
13	fixing set	96016000	£ 35,00	1
14	connection hose 450 mm M8x0,75 G3/8	93405000	£ 43,00	1
15	O-ring 7x1,5	98422000	£ 3,30	1
16	non return valve DW 10	96456000	£ 9,00	1
17	filter packing	95291000	£ 13,30	1