

Talis E

Single lever basin mixer 110 CoolStart with pop-up waste set

Finish: **Chrome** Article Number: **71713000**



Description

product features

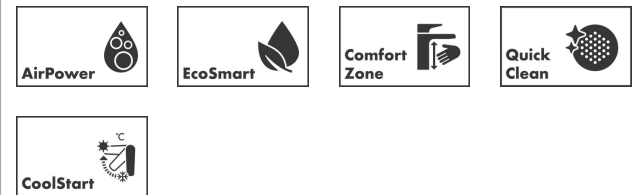
- consists of: single lever basin mixer, waste set
- ComfortZone 110
- projection: 112 mm
- spout height: 104 mm
- handle variant: lever handle
- spray type: normal spray
- maximum flow rate at 3 bar: 5 l/min
- ceramic cartridge
- temperature limitation adjustable
- suitable for continuous flow water heaters
- pop-up waste set G 1¼
- material waste set: metal
- connection type: G ¾ connections
- connection dimension: DN15
- cold water in basic handle position
- EU taxonomy: max. 6 l/min - Substantial Contribution (SC) possible
- WRAS 2201041
- WRAS 2201041 - Approval letter

Article Details

Price excl. VAT

162,50 £

Technology



Design awards



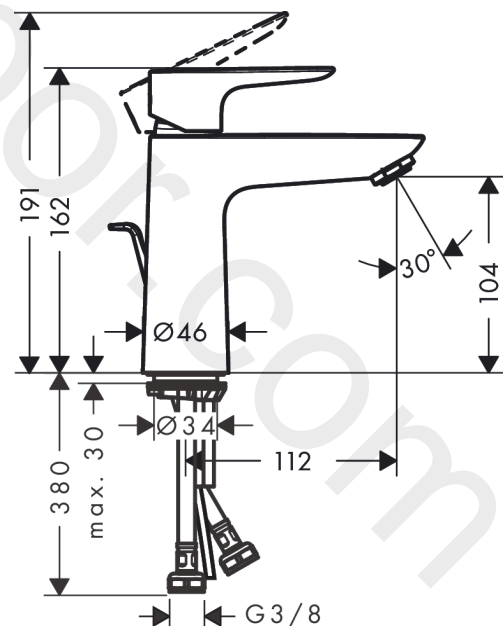
Certificates / Sustainability



Product image



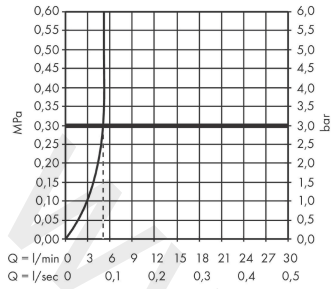
Scale drawing



Talis E
Single lever basin mixer 110 CoolStart with pop-up waste set
 Finish: **Chrome** Article Number: **71713000**



Flowchart

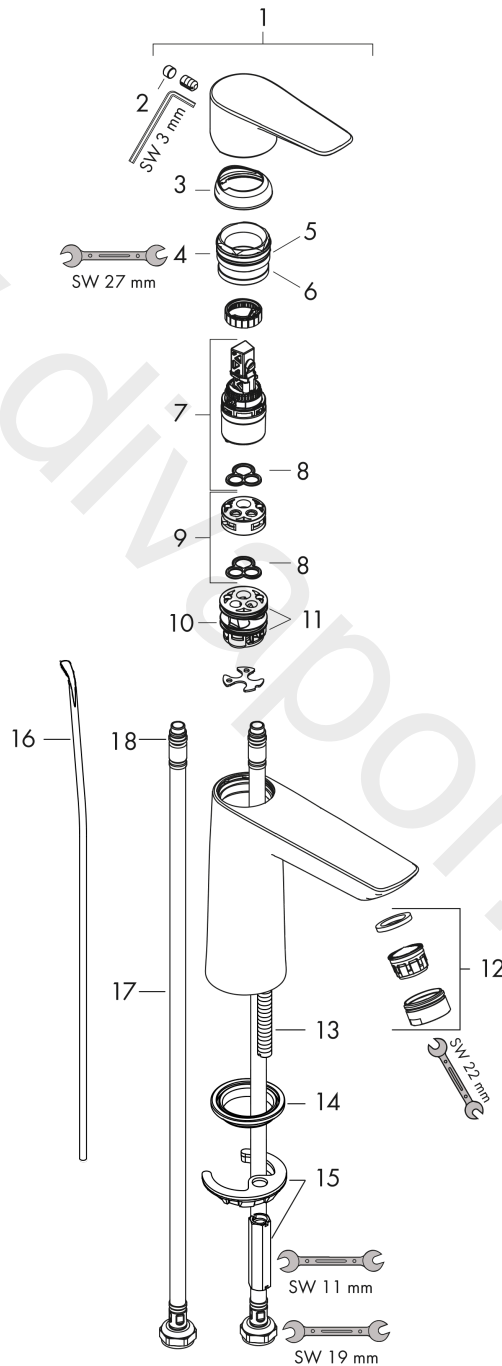


Talis E
Single lever basin mixer 110 CoolStart with pop-up waste set
 Finish: **Chrome** Article Number: **71713000**



Exploded Drawing

Year of production: >05/17



Talis E**Single lever basin mixer 110 CoolStart with pop-up waste set**Finish: **Chrome** Article Number: **71713000****Spare part list**

Year of production: >05/17

Pos.	Description	Article Number	Price	PU
1	handle	92688000	£ 51,00	1
2	screw cover	95704000	£ 3,30	1
3	flange	92625000	£ 35,00	1
4	nut	92689000	£ 25,00	1
5	O-ring 25x1,5	98146000	£ 3,30	1
6	O-ring 27x1,5	92527000	£ 13,30	1
7	cartridge, assy	97685000	£ 64,00	1
8	seal	98865000	£ 35,00	1
9	adapter for cartridge	92628000	£ 20,50	1
10	adapter for cartridge	95975000	£ 9,00	1
11	O-ring 23x2	98398000	£ 3,30	1
12	aerator M24x1 (5 l/min)	13185000	£ 22,30	1
13	screw M8 x 68	97736000	£ 6,10	1
14	seal	97608000	£ 6,10	1
15	fixing set	96016000	£ 35,00	1
16	pull rod	96657000	£ 13,30	1
17	connection hose 450 mm M8x0,75 G3/8	97206000	£ 35,00	1
18	O-ring 6,6x1,6	93019000	£ 3,30	1
a	pop up waste	94139000	£ 96,00	1