

## Talis E

### Single lever basin mixer 110 with pop-up waste set

Finish: **Brushed Bronze** Article Number: **71710140**



#### Description

##### product features

- consists of: single lever basin mixer, waste set
- ComfortZone 110
- projection: 112 mm
- spout height: 104 mm
- handle variant: lever handle
- spray type: normal spray
- maximum flow rate at 3 bar: 5 l/min
- ceramic cartridge
- temperature limitation adjustable
- suitable for continuous flow water heaters
- pop-up waste set G 1¼
- material waste set: metal
- connection type: G ¾ connections
- connection dimension: DN15
- EU taxonomy: max. 6 l/min - Substantial Contribution (SC) possible
- WRAS 2201041
- WRAS 2201041 - Approval letter

#### Article Details

Price excl. VAT

243,80 £

#### Technology



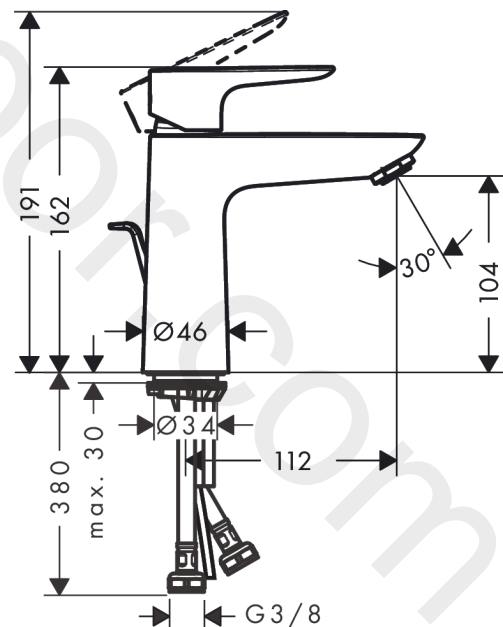
#### Design awards



#### Product image



#### Scale drawing



**Talis E**  
**Single lever basin mixer 110 with pop-up waste set**  
 Finish: **Brushed Bronze** Article Number: **71710140**



**Flowchart**



www.divapor.com



**Talis E****Single lever basin mixer 110 with pop-up waste set**Finish: **Brushed Bronze** Article Number: **71710140****Spare part list**

Year of production: &gt;07/19

Pos.	Description	Article Number	Price	PU
1	handle	92687140	£ 76,00	1
2	screw cover	95704000	£ 3,30	1
3	flange	92625140	£ 51,00	1
4	nut	92689000	£ 25,00	1
5	O-ring 25x1,5	98146000	£ 3,30	1
6	O-ring 27x1,5	92527000	£ 13,30	1
7	cartridge, assy	97685000	£ 64,00	1
8	seal	98865000	£ 35,00	1
9	adapter for cartridge	92628000	£ 20,50	1
10	adapter for cartridge	98866000	£ 35,00	1
11	O-ring 23x2	98398000	£ 3,30	1
12	aerator M24x1 (5 l/min)	13185140	£ 33,48	1
13	screw M8 x 68	97736000	£ 6,10	1
14	seal	97608000	£ 6,10	1
15	fixing set	96016000	£ 35,00	1
16	pull rod	96657140	£ 19,80	1
17	connection hose 450 mm M8x0,75 G3/8	97206000	£ 35,00	1
18	O-ring 7x1,5	98422000	£ 3,30	1
a	pop up waste	94139140	£ 163,00	1